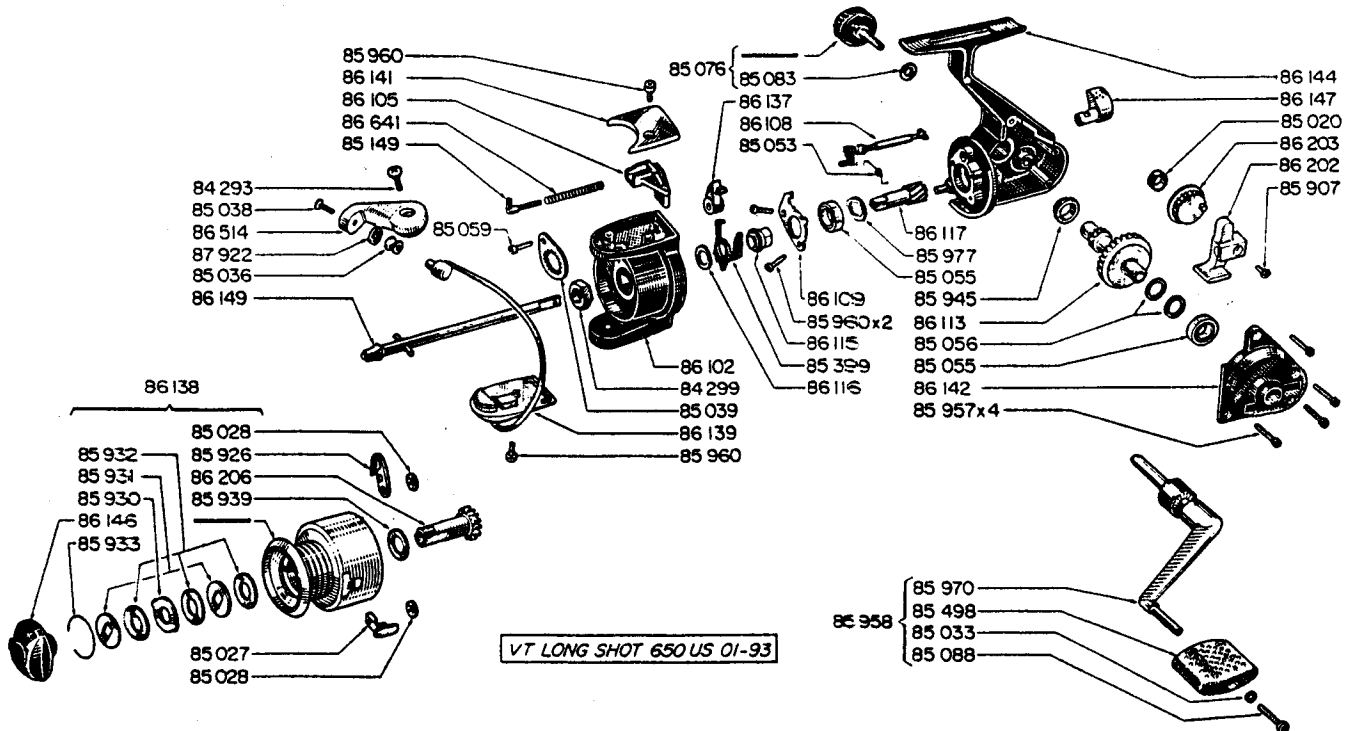


# MITCHELL®

## 650 Long Shot



Part No.	Description
8429300	BAIL ARM SCREW
8429900	ROTATING HEAD HEX NUT
8502000	CROSS WIND BUSHING
8502700	LINE CLIP
8502800	RETAINING CLIP
8503300	HANDLE KNOB WASHER
8503600	LINE GUIDE
8503800	LINE GUIDE SCREW
8503900	HEX NUT LOCKING RING
8505300	ANTI-REVERSE SHAFT SPRING
8505500	BALL BEARING
8505600	SHIM - DRIVE GEAR
8505900	MOUNTING SCREW
8507600	HANDLE CAP SCREW W/ WASHER
8508300	CAP SCREW WASHER
8508800	HANDLE KNOB SCREW
8514900	BAIL SPRING PIN
8539900	ANTI-REVERSE FRICTION
8549800	HANDLE KNOB
8590700	OSCILLATION SLIDE SCREW
8592600	SPOOL CLICK
8593000	EARED DRAG WASHER
8593100	KEYED DRAG WASHER
8593200	DRAG WASHER
8593300	DRAG RETAINER
8593900	BASE DRAG WASHER
8594500	HOUSING BUSHING
8595700	SIDE PLATE SCREW

Part No.	Description
8595800	HANDLE
8596000	RETAINING SCREW
8597000	HANDLE ARM
8597700	BEARING WASHER
8610200	ROTATING HEAD
8610500	TRIP LEVER
8610800	ANTI-REVERSE SHAFT
8610900	BEARING RETAINER
8611300	DRIVE GEAR
8611500	AR FRICTION BUSHING
8611600	AR FRICTION WASHER
8611700	PINION GEAR
8613700	ANTI-REVERSE DOG
8613800	SPOOL
8613900	BAIL WIRE W/ COVER PLATE
8614100	COVER PLATE N1
8614200	SIDE PLATE
8614400	HOUSING
8614600	DRAG KNOB
8614700	ANTI-REVERSE BUTTON
8614900	AXLE
8620200	OSCILLATION SLIDE
8620300	CROSS WIND GEAR
8620600	SPOOL SPINDLE
8651400	BAIL ARM
8664100	BAIL SPRING
8792200	LINE GUIDE RACE