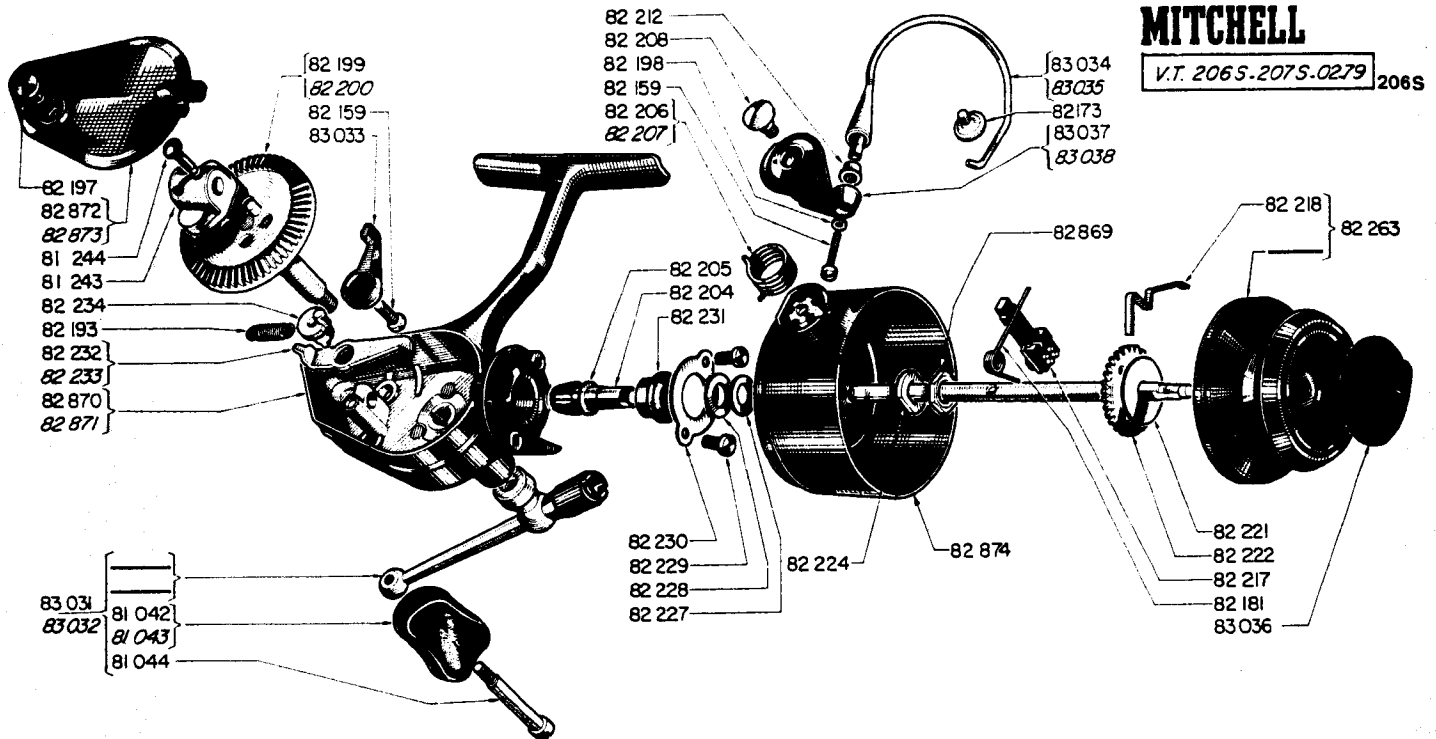


# 206S



| CODE NO. | DESCRIPTION                        | SUGGESTED RETAIL | CODE NO. | DESCRIPTION      | SUGGESTED RETAIL |
|----------|------------------------------------|------------------|----------|------------------|------------------|
| 81042    | Handle Knob                        | .60              | 82232    | Anti Reverse Dog | 1.10             |
| 81043    | Handle Knob                        | .60              | 82233    | Anti Reverse Dog | 1.10             |
| 81044    | Handle Knob Screw                  | .60              | 82234    | Anti Reverse Cam | .45              |
| 81243    | Oscillation Slide                  | .40              | 82260    | Bail Wire Mount  | 2.85             |
| 81244    | Oscillation Slide Lock             | .25              | 82261    | Bail Wire Mount  | 2.85             |
| 82159    | Anti Reverse Lever Screw           | .40              | 82263    | Spool Complete   | 2.45             |
| 82173    | Bail Screw N 2                     | .45              | 82869    | Hex Nut          | .45              |
| 82181    | Bail Trip Spring                   | .25              | 82870    | Housing          | 9.80             |
| *82189   | Handle Complete                    | 2.65             | 82871    | Housing          | 9.80             |
| *82190   | Handle Complete                    | 2.50             | 82872    | Cover Plate      | 2.05             |
| 82193    | Anti Reverse Spring                | .25              | 82873    | Cover Plate      | 2.05             |
| 82197    | Side Plate Screw                   | .40              | 82874    | Rotating Head    | 3.60             |
| 82198    | Bail Wire Lock Washer              | .25              |          |                  |                  |
| 82199    | Drive Gear                         | 3.00             |          |                  |                  |
| 82200    | Drive Gear                         | 3.00             |          |                  |                  |
| 82201    | Anti Reverse Lever                 | .65              |          |                  |                  |
| 82204    | Pinion Gear                        | 3.00             |          |                  |                  |
| 82205    | Thrust Washer R                    | .25              |          |                  |                  |
| 82206    | Bail Spring                        | .40              |          |                  |                  |
| 82207    | Bail Spring                        | .40              |          |                  |                  |
| 82208    | Bail Screw N 1                     | .60              |          |                  |                  |
| 82212    | Line Guide                         | .85              |          |                  |                  |
| 82213    | Bail Wire                          | 5.90             |          |                  |                  |
| 82214    | Bail Wire                          | 5.90             |          |                  |                  |
| 82217    | Bail Trip                          | .40              |          |                  |                  |
| 82218    | Click Spring                       | .40              |          |                  |                  |
| 82220    | Drag Adjusting Knob                | 1.50             |          |                  |                  |
| 82221    | Drag Washer                        | .25              |          |                  |                  |
| 82222    | Axle                               | 1.70             |          |                  |                  |
| 82224    | Keyed Washer                       | .25              |          |                  |                  |
| 82227    | Rotating Head Washer               | .25              |          |                  |                  |
| 82228    | Shims To Adjust Head / Pinion Gear | .25              |          |                  |                  |
| 82229    | Bushing Lock Screw                 | .25              |          |                  |                  |
| 82230    | Bushing Lock                       | .40              |          |                  |                  |
| 82231    | Bushing                            | 1.05             |          |                  |                  |

\*When present inventory is depleted, this part will be replaced by another number. Please refer to chart in back of book.