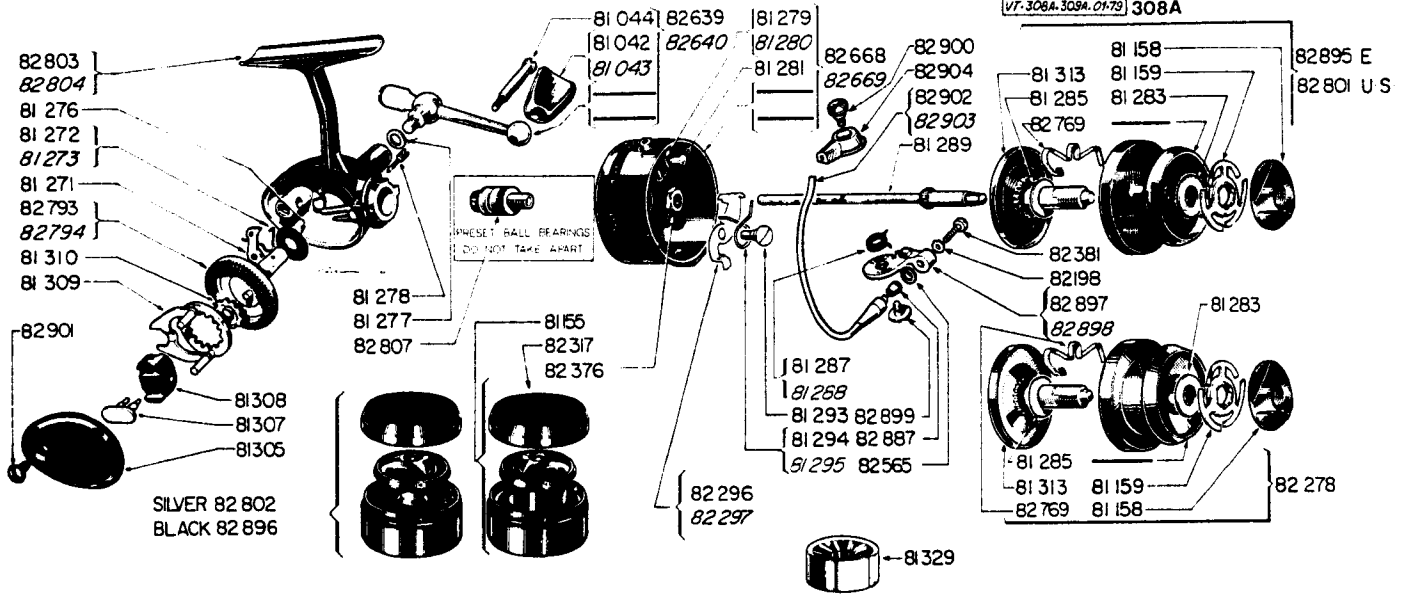


# 308A

## MITCHELL

VT. 308A, 309A, 0179 308A



CODE NO.	DESCRIPTION	SUGGESTED RETAIL	CODE NO.	DESCRIPTION	SUGGESTED RETAIL
81042	Handle Knob	.60	82376	Hex Nut	.30
81043	Handle Knob	.60	82381	Screw M 3 x 9.5	.30
81044	Handle Knob Screw	.60	82565	Line Guide Race	.65
81155	Spool Complete Small w/Container	4.15	82639	Handle Complete	3.80
81158	Drag Adjusting Knob	.60	82640	Handle Complete	3.80
81159	Brake Spring	1.05	82668	Rotating Head	6.70
81271	Anti Reverse Dog	.25	82669	Rotating Head	6.70
81272	Anti Reverse Dog Spring	.40	82769	Click Spring	.40
81273	Anti Reverse Dog Spring	.40	82793	Drive Gear	11.40
81276	Thrust Washer	.25	82794	Drive Gear	11.40
81277	Handle Spacer	.25	*82801	Spool Complete Large Less Container	4.75
81278	Pinion Set Screw	.25	82802	Spool Complete w/Container	4.75
81279	Counterweight	1.10	82803	Housing	10.90
81280	Counterweight	1.10	82804	Housing	10.90
81281	Counterweight Screw	.25	82807	Pinion Gear Ball Bearing Assembly	15.40
81283	Fiber Drag Washer	.25	82887	Line Guide	1.20
81285	Teflon Base Washer	.25	*82895	Spool Complete Small	3.65
81287	Bail Spring	.45	82896	Spool Complete Small w/Container	3.65
81288	Bail Spring	.45	82897	Bail Wire Mount	2.45
81289	Axle	1.75	82898	Bail Wire Mount	2.45
81293	Trip Lever Screw	.40	82899	Bail Screw N 1	.45
81294	Trip Lever Spring	.40	82900	Bail Screw N 2	.45
81295	Trip Lever Spring	.40	82901	Cover Plate Screw	.65
81296	Trip Lever	1.45	82902	Bail Wire	4.65
81297	Trip Lever	1.45	82903	Bail Wire	4.65
81305	Side Plate + Screw	1.10	82904	Bail Wire Bracket	1.85
81307	Oscillation Slide Lock	.95			
81308	Oscillation Slide	.60			
81309	Cam Ring Assembly	2.40			
81310	Planamatic Gear	1.10			
81313	Spindle	2.40			
81329	Spool Arbor	.60			
82198	Bail Wire Lock Washer	.25			
*82278	Spool Comp. Small Less Container	3.65			
82317	Spool Container	1.70			

\*When present inventory is depleted, this part will be replaced by another number. Please refer to chart in back of book.