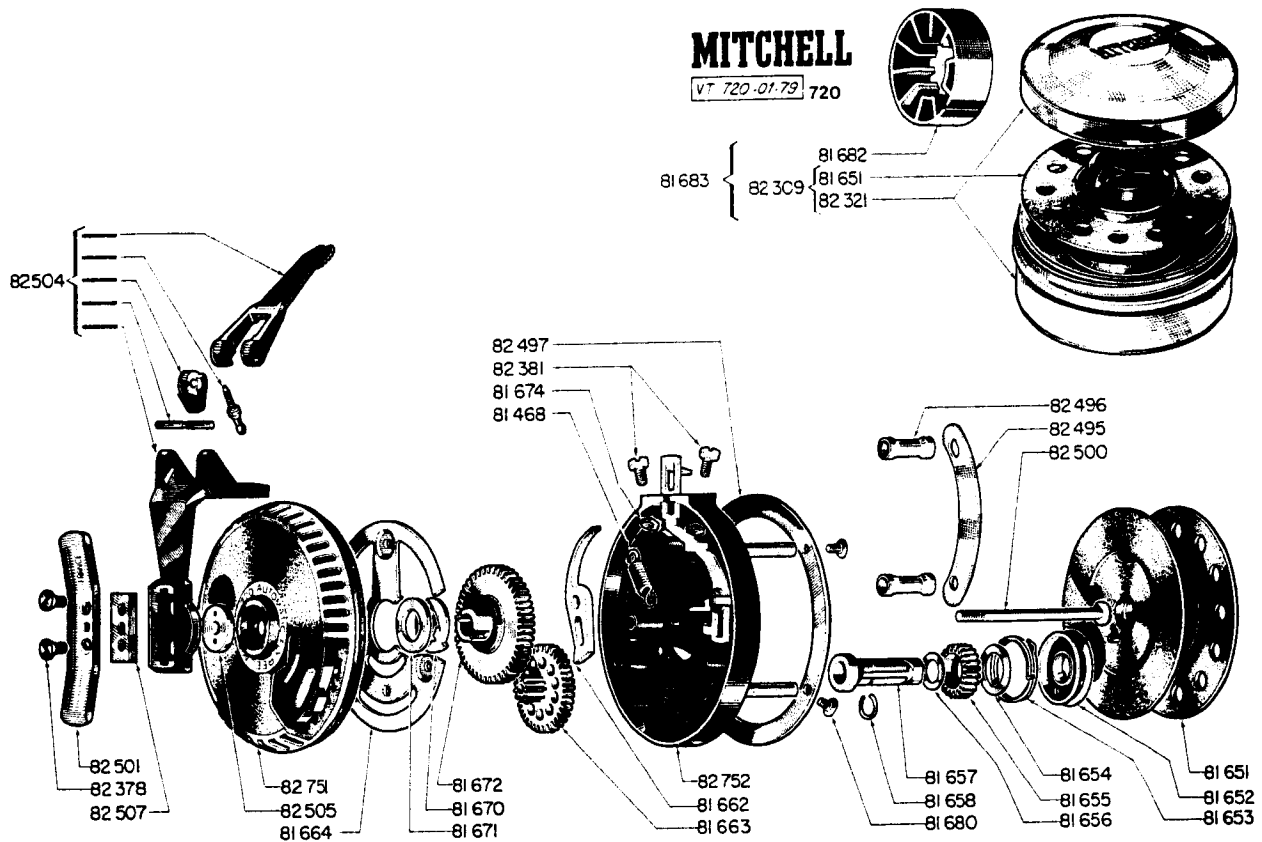


**MITCHELL**

VT 720-01-79 720



| CODE NO. | DESCRIPTION                               | SUGGESTED RETAIL |
|----------|---|------------------|
| 81468    | Trip Lever Spring . . . . .               | .40              |
| *81651   | Spool Complete . . . . .                  | 4.50             |
| 81652    | Brake Drum . . . . .                      | 3.00             |
| 81653    | Brake Spring . . . . .                    | 2.00             |
| 81654    | Brake Drum Washer . . . . .               | .25              |
| 81655    | Pinion Gear . . . . .                     | 3.00             |
| 81656    | Pinion Washer . . . . .                   | .15              |
| 81657    | Bushing . . . . .                         | 4.10             |
| 81658    | "C" Lock . . . . .                        | .25              |
| 81662    | Click Pawl . . . . .                      | .40              |
| 81663    | Transfer Gear . . . . .                   | 4.10             |
| 81664    | Inner Housing Plate . . . . .             | .95              |
| 81670    | Ratchet Ring . . . . .                    | .40              |
| 81671    | Spacer . . . . .                          | .25              |
| 81672    | Drive Gear . . . . .                      | 7.60             |
| 81674    | Reel Foot Lock Nut . . . . .              | .25              |
| 81680    | Pillar Screw . . . . .                    | .25              |
| 81682    | Spool Arbor . . . . .                     | .85              |
| 81683    | Spool Complete Arbor Container . . . . .  | 11.80            |
| 82309    | Spool / Container Without Arbor . . . . . | 10.95            |
| 82321    | Spool Container . . . . .                 | 2.20             |
| 82378    | Reel Foot Screw . . . . .                 | .30              |
| 82381    | Screw M 3 x 9.5 . . . . .                 | .30              |
| 82495    | Line Guard Plate . . . . .                | 3.50             |
| 82496    | Line Guard . . . . .                      | 1.40             |
| 82497    | Outer Housing Ring . . . . .              | 4.05             |
| 82500    | Main Screw . . . . .                      | 1.10             |
| 82501    | Reel Foot . . . . .                       | 2.00             |
| 82504    | Reel Foot Bracket . . . . .               | 7.25             |
| 82505    | Main Nut . . . . .                        | .65              |
| 82507    | Reel Foot Plate . . . . .                 | 1.40             |
| 82751    | Casing Complete Spring Anchor . . . . .   | 10.15            |
| 82752    | Housing . . . . .                         | 9.10             |

\*When present inventory is depleted, this part will be replaced by another number. Please refer to chart in back of book