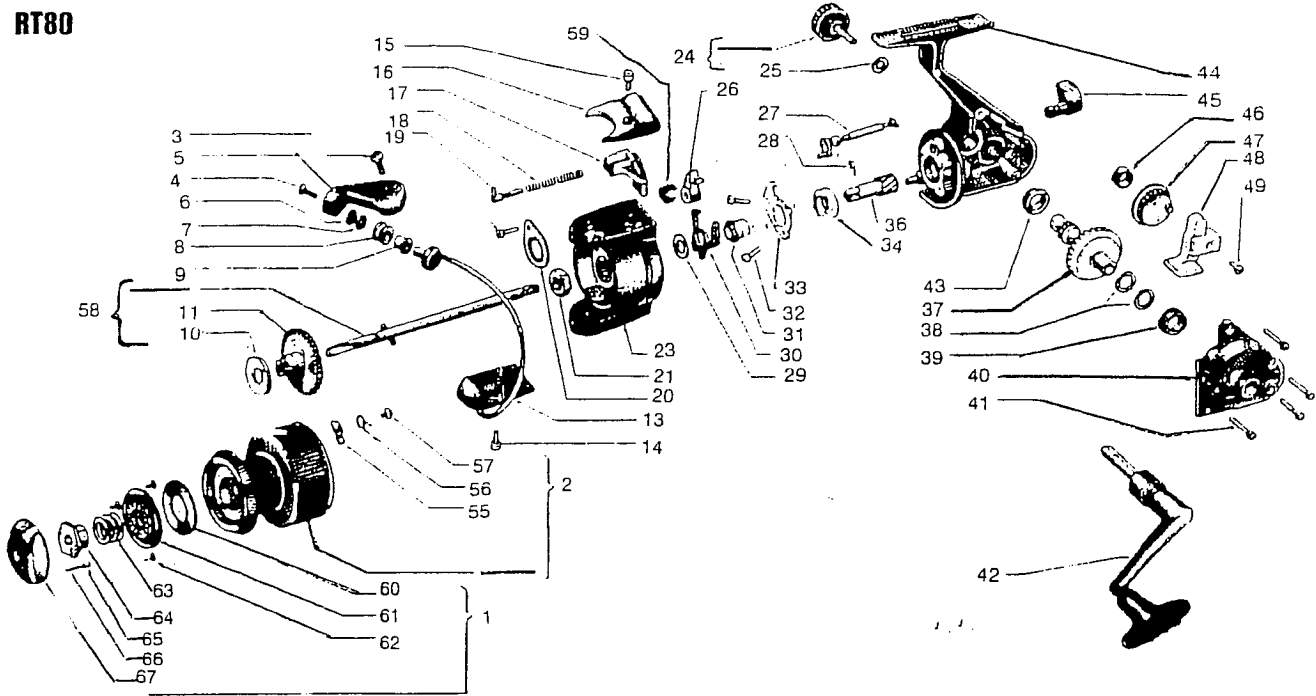


**RIPTIDE 80
RT80**



ITEM#	MIP PART#	DESCRIPTION	ITEM#	MIP PART#	DESCRIPTION	ITEM#	MIP PART#	DESCRIPTION
1	RT80-1	DRAG KNOB	23	RT80-23	ROTOR	45	RT70-45	A/R SWITCH
	RT80-2	COMPLETE SPOOL	24	RT80-24	HANDLE CAP SCREW	46	RT80-46	BUSHING
3	RT30-3	SCREW, BAIL ARM	25	RT30-25	HANDLE CAP SCREW WASHER	47	RT80-47	OSC GEAR
4	RT80-4	BAIL SCREW	26	RT80-26	A/R CAM	48	RT80-48	O/S SLIDER
5	RT80-5	BAIL ARM	27	RT80-27	A/R SHAFT	49	RT80-49	OSCILLATION SLIDE SCREW
6	RT30-6	LINE GUIDE RACE	28	RT30-28	A/R SPRING	55	RT80-55	CLICKER
7	RT30-7	WASHER, LINE ROLLER	29	RT80-29	A/R FRICTION WASHER	56	RT30-56	SPRING
8	RT30-8	LINE GUIDE	30	RT80-30	A/R FRICTION	57	RT80-57	SCREW
9	RT30-9	LINE GUIDE BUSHING	31	RT80-31	A/R FRICTION BUSHING	58	RT80-58	AXLE W/WASHER & GEAR
10	RT80-10	WASHER	32	RT80-32	SCREW	59	RT80-59	C-CLIP
11	RT80-11	MAIN SHAFT GEAR	33	RT80-33	BEARING RETAINER	60	RT80-60	WASHER
13	RT80-13	BAIL	34	RT80-34	BEARING	61	RT80-61	DRAG KNOB BOTTOM
14	RT30-14	SCREW, RETAINING	36	RT80-36	PINION GEAR	62	RT80-62	SCREW
15	RT30-15	SCREW	37	RT80-37	MAIN GEAR	63	RT80-63	SPRING
16	RT80-16	SIDE COVER	38	RT80-38	SHIM, DRIVE GEAR	64	RT80-64	NUT
17	RT80-17	TRIP LEVER	39	RT80-39	BUSHING	65	RT80-65	PIN
18	RT80-18	BAIL SPRING	40	RT80-40	SIDE PLATE	66	RT80-66	SPRING
19	RT80-19	BAIL SPRING PIN	41	RT80-41	COVER PLATE SCREW	67	RT80-67	DRAG KNOB COVER
20	RT80-20	RING, HEX NUT LOCKING	42	RT80-42	HANDLE			
21	RT80-21	HEX NUT	43	RT80-43	BUSHING			
22	RT30-22	SCREW	44	RT80-44	HOUSING			