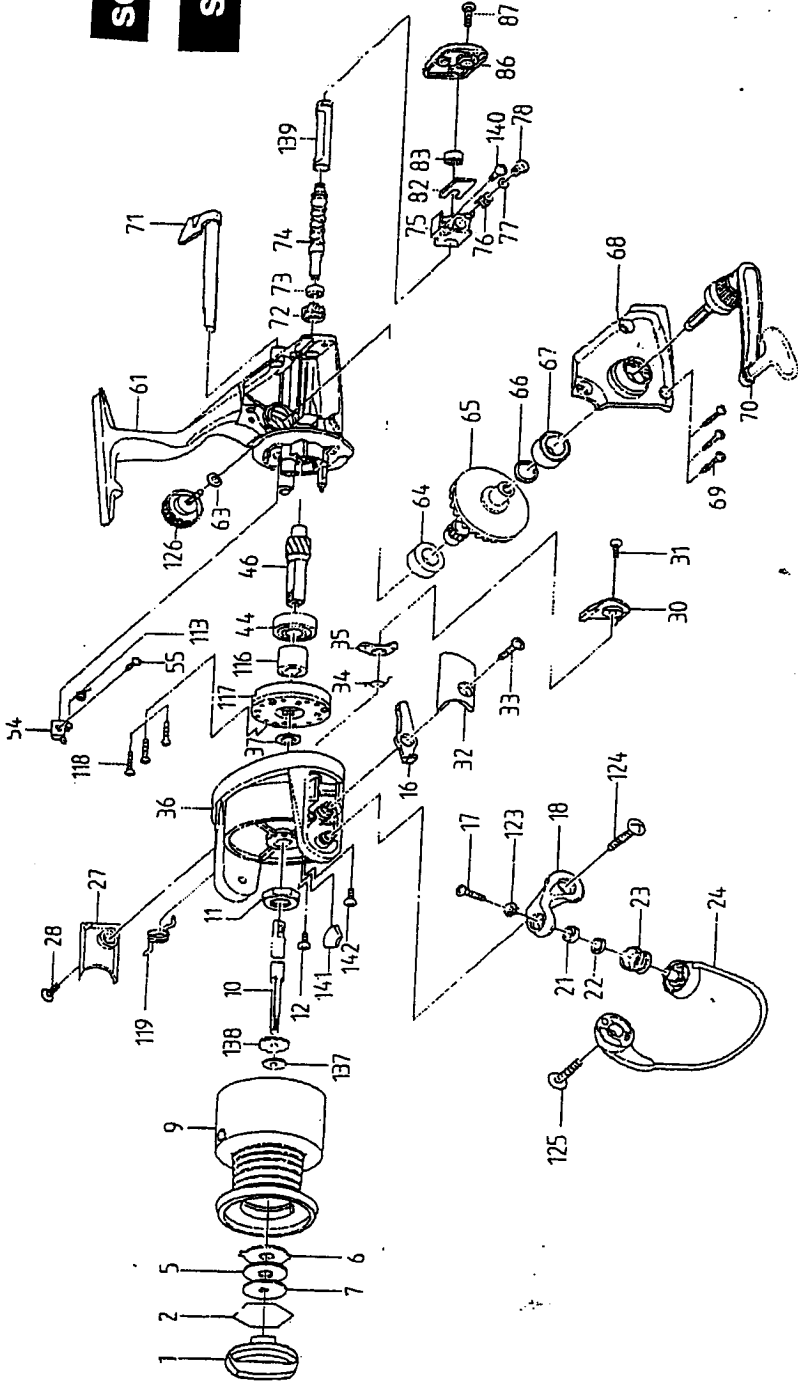


SCA10

SCA30



DESCRIPTION	SCA10	SCA30	DESCRIPTION	SCA10	SCA30
1 DRAG KNOB ASSEMBLY	8889716	8889789	30 BAIL SPRING COVER B	8889736	8889801
2 DRAG WASHER	8889717	---	31 BAIL SPRING COVER SCREW B	1071237	---
5 DRAG WASHER	8889718	---	32 BAIL TRIP LOWER COVER	8889738	8889802
6 EARED WASHER	8889719	---	33 BAIL TRIP LEVER COVER SCREW	1071239	1071153
7 KEY WASHER	8889721	---	34 BAIL SPRING	8889741	8889904
9 SPOOL COMPLETE (INCLUDES # 2, 5, 6, 7)	1071224	1071225	35 BALL TRIP LEVER B	8889742	8889905
10 MAIN SHAFT	8889723	8889792	36 ROTOR	8889743	8889906
11 ROTOR NUT	8889724	8889793	37 BUSH WASHER	8889744	8889907
12 ROTOR NUT	8889725	8889794	44 BALL BEARING	8889745	8889908
16 HOLDING SCREW	8889726	8889795	46 PINION	8889746	8889909
17 BAIL TRIP LEVER A	1071227	---	54 ANTI-REVERSE CAM	8889747	8889911
18 BAIL SCREW	8889728	---	55 ANTI-REVERSE CAM SCREW	8889748	---
21 BALL BEARING	8889729	8889796	61 BODY	1071155	1071156
22 LINE ROLLER WASHER	8889731	---	63 HANDLE LOCK SCREW	---	---
23 LINE ROLLER	1071229	---	WASHER AND SCREW (INCLUDES # 126)	1071158	---
24 BAIL ASSEMBLY	1071231	1071232	64 BALL BEARING	8889752	---
27 BAIL SPRING COVER A	8889798	---	65 DRIVE GEAR	8889753	8889913
28 BAIL SPRING COVER SCREW A	1071234	1071235	66 DRIVE GEAR WASHER	8889754	8889914
67 BALL BEARING	8889755	---	68 SIDE COVER	1071254	1071255
68 SIDE COVER	1071254	1071255	69 SIDE COVER SCREW	1071257	1071258
69 SIDE COVER SCREW	1071257	1071258	70 HANDLE ASSEMBLY	1071260	1071261
70 HANDLE ASSEMBLY	8889759	8889818	71 ANTI-REVERSE LEVER	8889761	8889819
71 ANTI-REVERSE LEVER	8889762	---	72 WORM GEAR	8889762	---
72 WORM GEAR	8889763	8889821	73 BEARING	8889763	8889821
73 BEARING	8889764	8889822	74 WORM SHAFT	8889764	8889822
74 WORM SHAFT	8889765	8889823	75 OSCILLATING SLIDER	8889765	8889823
75 OSCILLATING SLIDER	8889766	---	76 OSCILLATING PAWL	8889766	---
76 OSCILLATING PAWL	8889767	8889824	77 WASHER	8889767	8889824
77 WASHER	8889768	---	78 SCREW	8889768	---
78 SCREW	8889769	---	82 RETAINER	8889769	---
82 RETAINER	1071263	1071264	83 BALL BEARING	1071263	1071264
83 BALL BEARING	1071266	---	86 REAR COVER	1071266	---
86 REAR COVER	8889773	8889826	87 REAR COVER SCREW	8889773	8889826
87 REAR COVER SCREW	8889774	8889827	113 ANTI-REVERSE CAM SPRING	8889774	8889827
113 ANTI-REVERSE CAM SPRING	8889775	8889828	116 BUSHING	8889775	8889828
116 BUSHING	---	---	117 ONE WAY CLUTCH ASSEMBLY	---	---
117 ONE WAY CLUTCH ASSEMBLY	---	---	118 ONE WAY CLUTCH	---	---
118 ONE WAY CLUTCH	---	---	119 BAIL TRIP SPRING	8889776	8889829
119 BAIL TRIP SPRING	---	---	123 LINE ROLLER LOCK WASHER	8889777	8889831
123 LINE ROLLER LOCK WASHER	---	---	124 BAIL ARM SCREW	8889778	---
124 BAIL ARM SCREW	---	---	125 BAIL TRIP CAM SCREW	1071268	---
125 BAIL TRIP CAM SCREW	---	---	126 HANDLE LOCK SCREW (SEE 63)	1071270	---
126 HANDLE LOCK SCREW (SEE 63)	---	---	137 SPOOL WASHER	(NO. 63)	---
137 SPOOL WASHER	---	---	138 CLICK GEAR	8889783	---
138 CLICK GEAR	---	---	139 PIPE	8889784	---
139 PIPE	---	---	140 SCREW	8889785	8889832
140 SCREW	---	---	141 Rotor weight	8889786	8889833
141 Rotor weight	---	---	142 Screw	1071270	---
142 Screw	---	---	NOTE: --- = SAME AS SCA10	---	---

The part numbers shown on this drawing and parts list are available to order. To order a part, either contact the Pure Fishing Reel Service Department at 1-877-508-3474, or the Pure Fishing Warranty Service Center nearest you. To locate the nearest service center, please see the accompanying service center listing, or visit us at www.purefishing.com