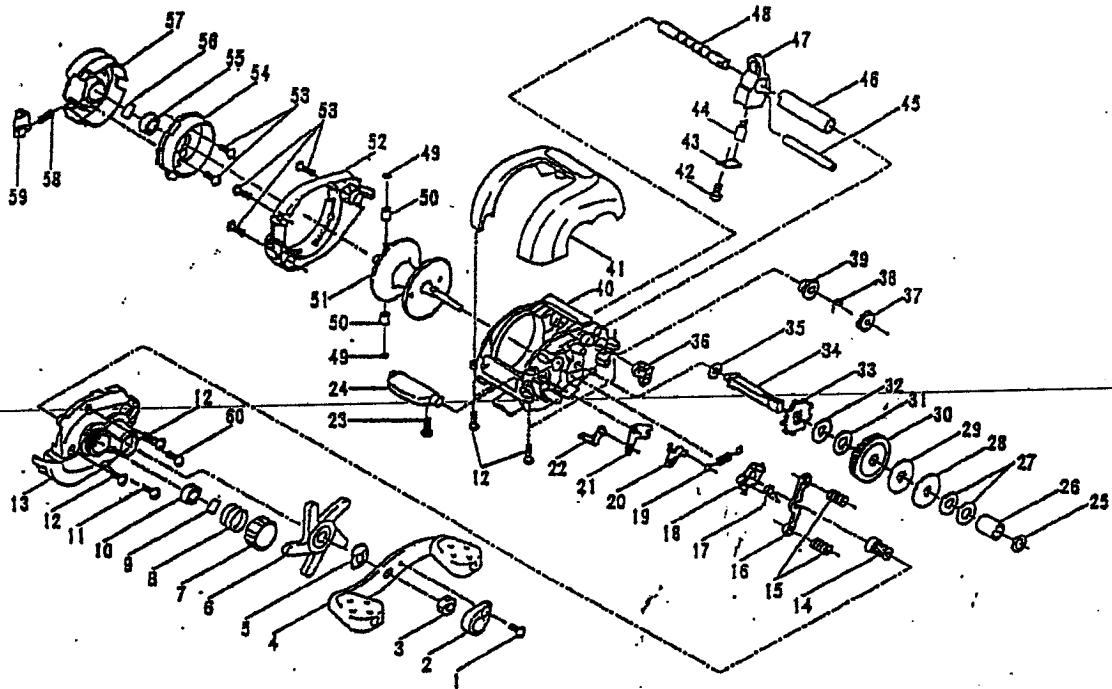


MITCHELL

SM300



Item	number	Description	Item	number	Description
1	888-8350	HANDLE NUT COVER SCREW	31	888-8380	DRAG WASHER
2	888-8351	HANDLE NUT COVER	32	888-8381	DRAG WASHER
3	888-8352	HANDLE NUT	33	888-8382	RATCHET
4	888-8353	HANDLE ASSEMBLY	34	888-8383	RATCHET SHAFT ASSEMBLY
5	888-8354	SPRING WASHER	35	888-8384	PINION WASHER
6	888-8355	STAR DRAG	36	888-8385	ANTI-REVERSE DOG
7	888-8356	END PLAY ADJUSTMENT CAP	37	888-8386	WORM SHAFT DRIVE GEAR
8	888-8357	END PLAY ADJUSTMENT SPRING	38	888-8387	C-CUP
9	888-8358	BRAKE PIECE	39	888-8388	WORM SHAFT BUSHING
10	888-8359	BALL BEARING	40	888-8389	MAIN BODY
11	888-8360	HANDLE SIDE PLATE SCREW	41	888-8390	MAIN BODY COVER
12	888-8361	HANDLE SIDE PLATE SCREW	42	888-8391	SCREW
13	888-8362	HANDLE SIDE PLATE	43	888-8392	LINE GUIDE BLOCK COVER
14	888-8363	PINION GEAR	44	888-8393	WORM SHAFT PAWL
15	888-8364	PINION YOKE SPRING	45	888-8394	LINE GUIDE SUPPORT BAR
16	888-8365	PINION YOKE	46	888-8395	WORM SHAFT COVER
17	888-8366	CLUTCH CAM SPRING	47	888-8396	LINE GUIDE BLOCK
18	888-8367	CAM SPRING	48	888-8397	WORM SHAFT
19	888-8368	SLIDER SPRING	49	888-8398	O RING
20	888-8369	CLICK CLAW	50	888-8399	CASTING BRAKE SHOE
21	888-8370	SLIDER	51	888-8401	SPOOL ASSEMBLY
22	888-8371	SLIDER LEVER	52	888-8402	LEFT SIDE PLATE
23	888-8372	THUMB BAR SCREW	53	888-8403	LEFT SIDE PLATE SCREW
24	888-8373	THUMB BAR	54	888-8404	LEFT SIDE PLATE INNER COV
25	888-8374	DRAG SPRING WASHER	55	888-8405	BALL BEARING
26	888-8375	DRAG COLLAR	56	888-8406	BRAKE PIECE
27	888-8376	DRAG WASHER	57	888-8407	LEFT SIDE OUTER COVER
28	888-8377	DRAG WASHER	58	888-8408	ON / OFF LEVER SPRING
29	888-8378	DRAG WASHER	59	888-8409	ON / OFF LEVER
30	888-8379	MAIN GEAR	60	888-8410	HANDLE SIDE PLATE SCREW

67