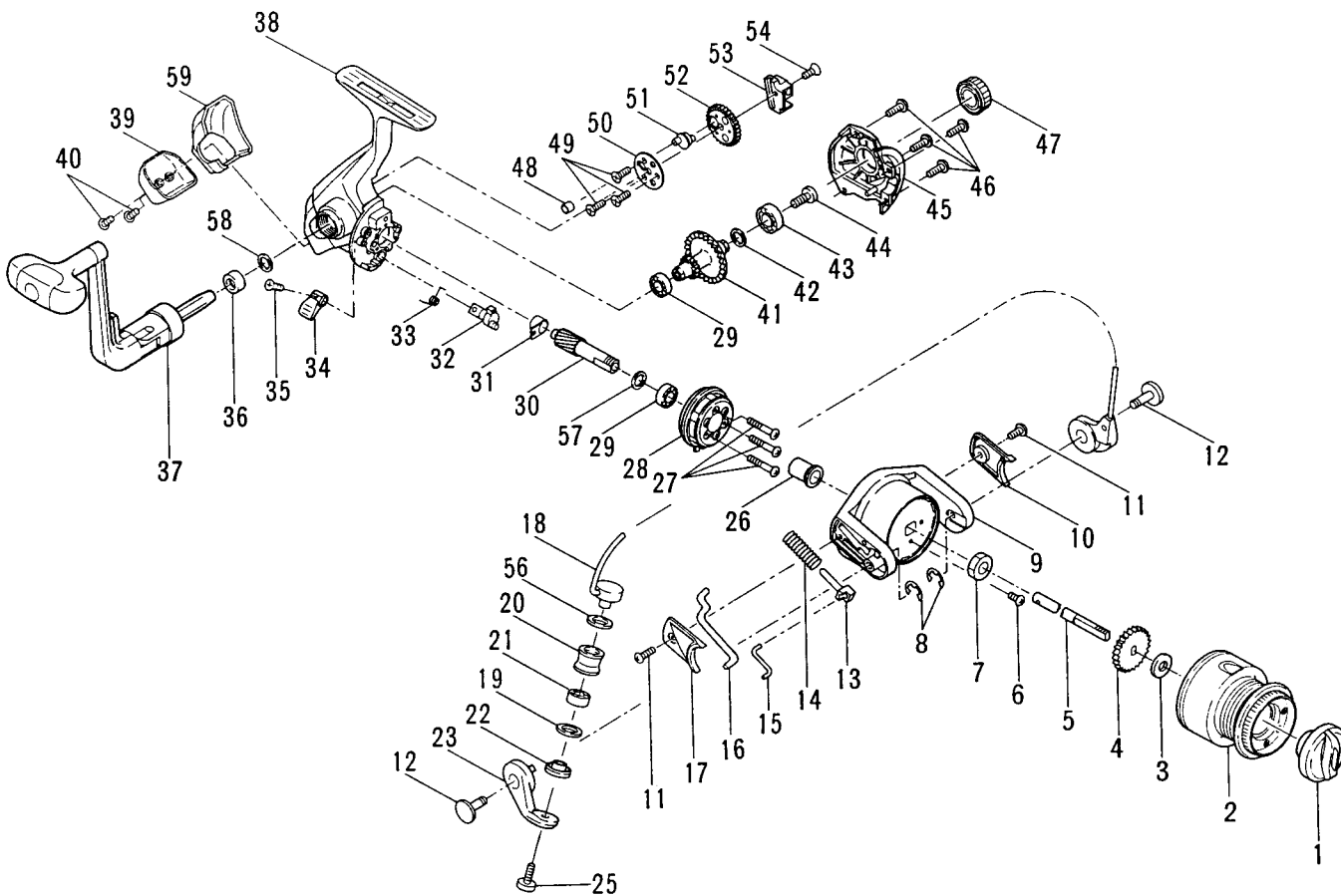




MODEL PRION 1800

PARTS LIST FOR MODEL 1800



KEY NO.	PART NO.	DESCRIPTION
1	52-1800	Drag Knob Asm.
2	47-1800	Spool Assembly
3	60-1500	Thrust Washer
4	40B-1800	Click Ratchet
5	39-1800	Spool Shaft
6	38A-900	Rotor Nut Lock Screw
7	38-1000	Rotor Nut
8	37-900	E-Ring (2)
9	27-1800	Rotor
10	227-1800	Rotor Cover 'B'
11	50-1000	Cover Screw (2)
12	31A-1800	Trip Arm Screw (2)
13	34B-1000	Pivot Shaft
14	34C-1800	Pivot Spring
15	34A-1500	Pivot Arm
16	34D-1800	Pivot Arm Kick Lever
17	27A-1800	Rotor Cover 'A'
18	24-1200	Bail Wire Assembly
19	132-900	Washer
20	35-900	Line Roller
21	35A-900	Line Roller Ball Bearing
22	35B-900	Line Roller Collar
23	34-1800	Bail Arm
25	36-900	Line Roller Screw
26	19A-900	Spacer
27	20A-900	Screw (3)
28	20-1800	One Way Clutch
29	20B-900	Ball Bearing (2)
30	19-1800	Pinion Gear
31	19B-1800	Rear Pinion Bushing
32	28-1800	Anti-Reverse Lever Cam
33	28B-1800	Anti-Reverse Lever Spring
34	28A-900	Anti-Reverse Lever
35	6F-900	Lever Mtg. Screw
36	15A-900	Handle Spacer
37	15-1800	Handle Assembly
38	1-1800	Main Body
39	1A-1800	Housing Protector
40	1C-900	Housing Protector Screws (2)
41	8-1800	Main Gear
42	8A-3000	Main Gear Shim
43	20-1000	Ball Bearing
44	9A-1000	Handle Retaining Screw
45	2A-1800	Side Plate
46	46-1000	Screw (3)
47	233-900	Bearing Cover
48	231A-1800	Crosswind Cam Collar
49	231D-1800	Crosswind Gear Screw (3)
50	231C-1800	Crosswind Pressure Plate
51	231B-1800	Crosswind Cam
52	231-1800	Crosswind Gear
53	43-1800	Crosswind Block
54	44-900	Crosswind Block Screw
56	8A-1500	Upper Roller Washer
57	28C-900	Washer (2)
58	15B-900	Washer
59	1B-1800	Housing Cover