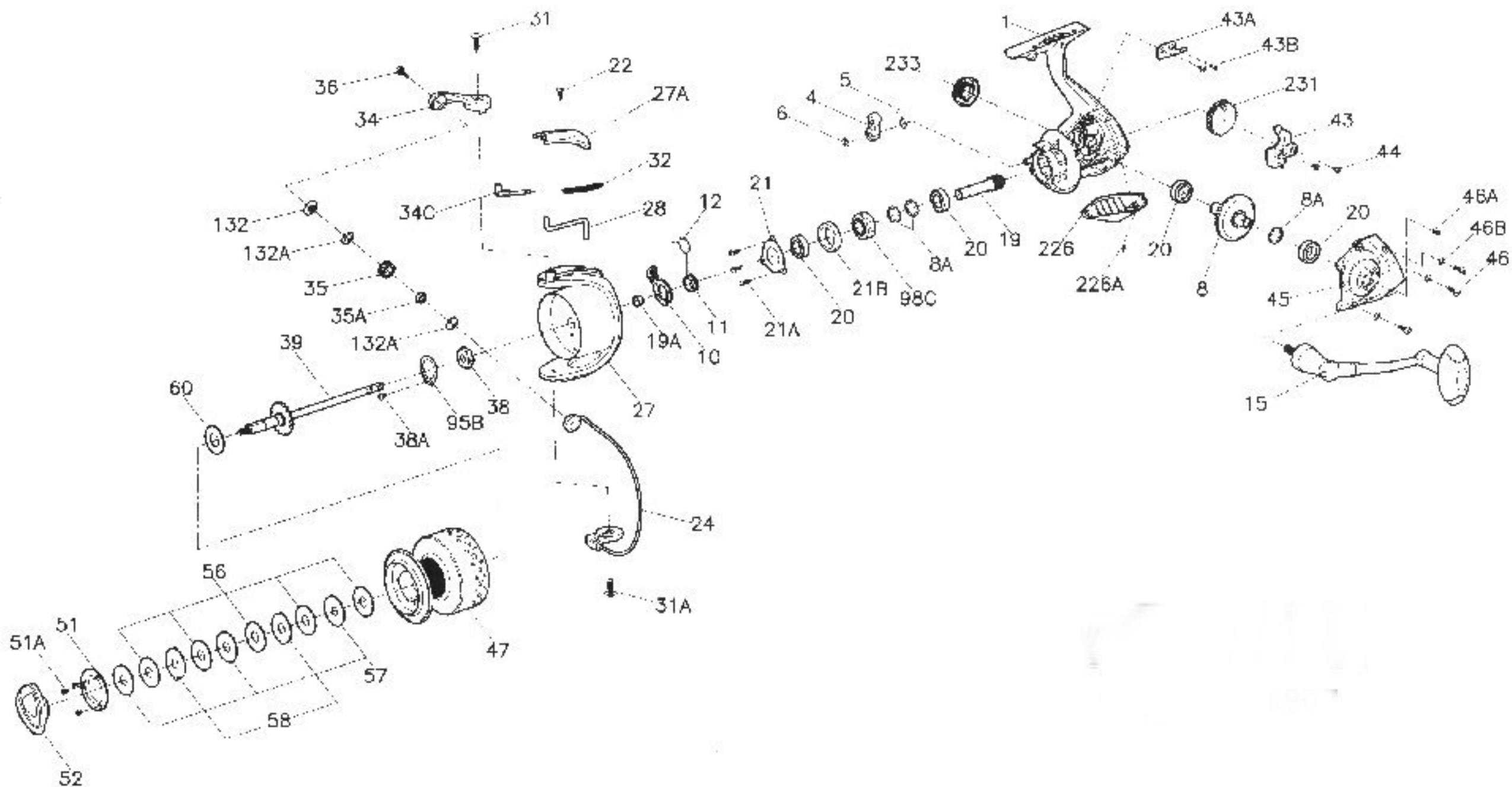




PARTS LIST FOR MODEL SG5000



Penn Reel Parts list for:

KEY	PART		
NO	NO.		DESCRIPTION
1	1-5000SG		HOUSING
4	4-5000SG		A/R DOG
5	5-5000SG		A/R DOG SPRING
6	6-5000SG		RETAINING CLIP
8	8-5000SG		MAIN GEAR ASSEMBLY
8A	8A-5000SG		MAIN GEAR SHIM
10	10-5000SG		A/R HOLDER
11	11-5000SG		BUSHING
12	12-5000SG		A/R BUSHING SPRING
15	15-5000SG		HANDLE ASSEMBLY
19	19-5000SG		PINION GEAR
19A	19A-5000SG		PINION BUSHING (2 REQUIRED)
20	20-5000SG		BALL BEARING (4 REQUIRED)
21	21-5000SG		BEARING RETAINER
21A	21A-5000SG		BEARING RETAINER SCREW (3 REQUIRED)
21B	21B-5000SG		COLLAR
22	22-5000SG		BAIL ARM COVER SCREW
24	24-5000SG		BAIL WIRE
27	27-5000SG		ROTOR CUP
27A	27A-5000SG		BAIL PIVOT COVER
28	28-5000SG		TRIP LEVER
31	31-5000SG		BAIL ARM SCREW
31A	31A-5000SG		BAIL CAM SCREW
32	32-5000SG		BAIL SPRING
34	34-5000SG		BAIL ARM
34C	34C-5000SG		PIVOT ARM
35	35-3000SG		LINE ROLLER
35A	35A-3000SG		LINE ROLLER BEARING

Model: SG5000 Sargus Spinning Series

KEY	PART		
NO	NO.		DESCRIPTION
36	36-5000SG		BAIL STUD SCREW
38	38-5000SG		ROTOR NUT
38A	38A-5000SG		ROTOR LOCKING PLATE SCREW
39	39-5000SG		SPOOL SHAFT
43	43-5000SG		CROSSWIND BLOCK
43A	43A-5000SG		CROSSWIND BLOCK PLATE
43B	43B-5000SG		CROSSWIND BLOCK PLATE SCREW
44	44-5000SG		CROSSWIND BLOCK SCREW
45	45-5000SG		HOUSING COVER
46	46-5000SG		HOUSING COVER SCREW (3 REQUIRED)
46A	46A-3000SG		HOUSING COVER SCREW A
46B	46B-5000SG		HOUSING COVER WASHER (3 REQUIRED)
47	47-5000SG		SPOOL ASSEMBLY
51	51-5000SG		RETAINING SPACER
51A	51A-3000SG		RETAINING SCREW (3 REQUIRED)
52	52-5000SG		DRAG KNOB
56	56-5000SG		DRAG WASHER HT100 (3 REQUIRED)
57	57-5000SG		KEYED DRAG WASHER (2 REQUIRED)
58	58-5000SG		EARRED DRAG WASHER
60	60-5000SG		THRUST WASHER
95B	95B-5000SG		ROTOR LOCKING PLATE
98C	98C-5000SG		CLUTCH/SLEEVE ASSEMBLY
132	132-5000SG		ROLLER WASHER
132A	132A-3000SG		LINE ROLLER WASHER
226	226-5000SG		REAR COVER
226A	226A-3000SG		REAR COVER SCREW
231	231-5000SG		CROSSWIND GEAR
233	233-5000SG		BEARING COVER