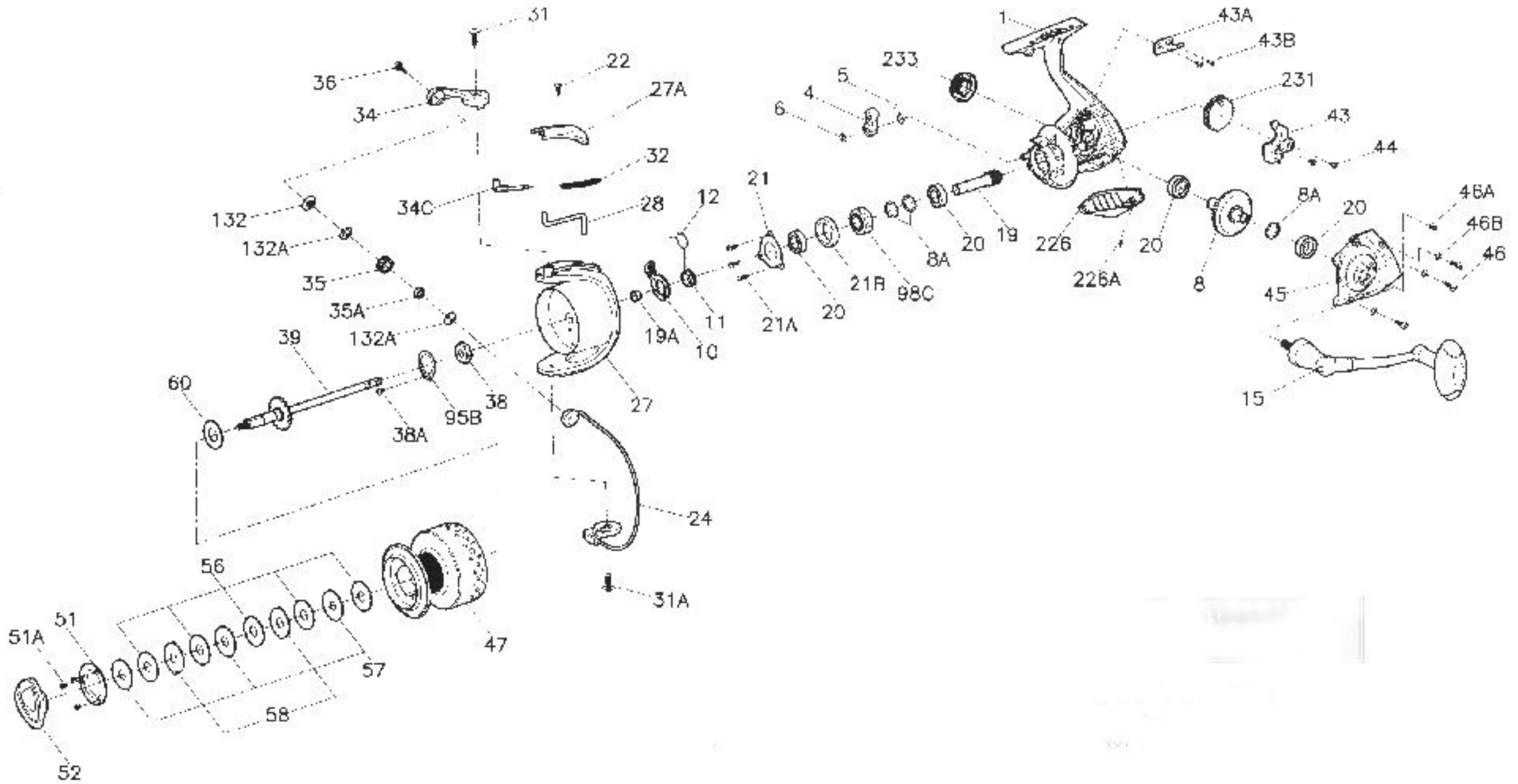




PARTS LIST FOR MODEL SG6000



Penn Reel Parts list for:

| KEY PART NO. | NO. | DESCRIPTION |
|--------------|------------|-------------------------------------|
| 1 | 1-6000SG | HOUSING |
| 4 | 4-5000SG | A/R DOG |
| 5 | 5-5000SG | A/R DOG SPRING |
| 6 | 6-5000SG | RETAINING CLIP |
| 8 | 8-5000SG | MAIN GEAR ASSEMBLY |
| 8A | 8A-5000SG | MAIN GEAR SHIM |
| 10 | 10-5000SG | A/R HOLDER |
| 11 | 11-5000SG | BUSHING |
| 12 | 12-5000SG | A/R BUSHING SPRING |
| 15 | 15-5000SG | HANDLE ASSEMBLY |
| 19 | 19-5000SG | PINION GEAR |
| 19A | 19A-5000SG | PINION BUSHING (2 REQUIRED) |
| 20 | 20-5000SG | BALL BEARING (4 REQUIRED) |
| 21 | 21-5000SG | BEARING RETAINER |
| 21A | 21A-5000SG | BEARING RETAINER SCREW (3 REQUIRED) |
| 21B | 21B-5000SG | COLLAR |
| 22 | 22-5000SG | BAIL ARM COVER SCREW |
| 24 | 24-6000SG | BAIL WIRE |
| 27 | 27-6000SG | ROTOR CUP |
| 27A | 27A-5000SG | BAIL PIVOT COVER |
| 28 | 28-5000SG | TRIP LEVER |
| 31 | 31-5000SG | BAIL ARM SCREW |
| 31A | 31A-5000SG | BAIL CAM SCREW |
| 32 | 32-5000SG | BAIL SPRING |
| 34 | 34-5000SG | BAIL ARM |
| 34C | 34C-5000SG | PIVOT ARM |
| 36 | 36-5000SG | LINE ROLLER |
| 35A | 35A-3000SG | LINE ROLLER BEARING |

Model: SG6000 Sargus Spinning Series

| KEY PART NO. | NO. | DESCRIPTION |
|--------------|-------------|-----------------------------------|
| 36 | 36-5000SG | BAIL STUD SCREW |
| 38 | 38-5000SG | ROTOR NUT |
| 38A | 38A-5000SG | ROTOR LOCKING PLATE SCREW |
| 39 | 39-5000SG | SPOOL SHAFT |
| 43 | 43-5000SG | CROSSWIND BLOCK |
| 43A | 43A-5000SG | CROSSWIND BLOCK PLATE |
| 43B | 43B-5000SG | CROSSWIND BLOCK PLATE SCREW |
| 44 | 44-5000SG | CROSSWIND BLOCK SCREW |
| 45 | 45-6000SG | HOUSING COVER |
| 46 | 46-5000SG | HOUSING COVER SCREW (3 REQUIRED) |
| 46A | 46A-3000SG | HOUSING COVER SCREW A |
| 46B | 46B-5000SG | HOUSING COVER WASHER (3 REQUIRED) |
| 47 | 47-6000SG | SPOOL ASSEMBLY |
| 51 | 51-5000SG | RETAINING SPACER |
| 51A | 51A-3000SG | RETAINING SCREW (3 REQUIRED) |
| 52 | 52-5000SG | DRAG KNOB |
| 56 | 56-5000SG | DRAG WASHER HT100 (3 REQUIRED) |
| 57 | 57-5000SG | KEYED DRAG WASHER (2 REQUIRED) |
| 58 | 58-5000SG | EARRED DRAG WASHER |
| 60 | 60-5000SG | THRUST WASHER |
| 95B | 95B-5000SG | ROTOR LOCKING PLATE |
| 98C | 98C-5000SG | CLUTCH/SLEEVE ASSEMBLY |
| 132 | 132-5000SG | ROLLER WASHER |
| 132A | 132A-3000SG | LINE ROLLER WASHER |
| 226 | 226-5000SG | REAR COVER |
| 226A | 226A-3000SG | REAR COVER SCREW |
| 231 | 231-5000SG | CROSSWIND BEARING |
| 233 | 233-5000SG | BEARING COVER |