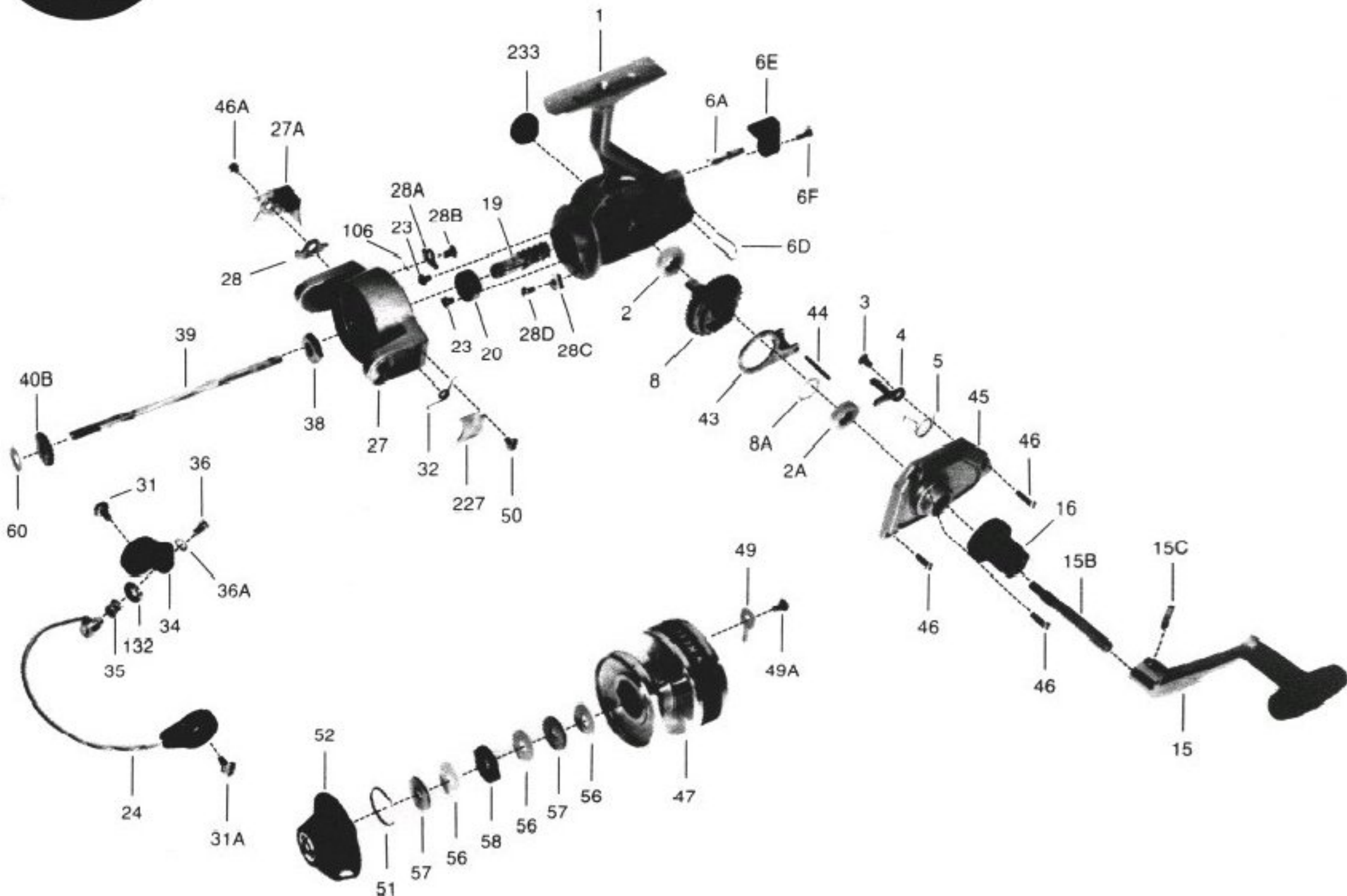


**PARTS LIST FOR MODEL 101**



Penn Reel Parts list for:

**KEY PART**

NO	NO.	DESCRIPTION
1	1-101	HOUSING W/ BUSHING EMBLEM
2	2-101	HOUSING BUSHING
2A	2A-101	COVER BUSHING
3	3-101	DOG MOUNTING SCREW
4	4-101	DOG
6A	5-101	DOG SPRING
6D	6A-103	ECCENTRIC
6E	6D-103	ECCENTRIC SPRING
6F	6E-103	ECCENTRIC LEVER
8	6F-101	ECCENTRIC LEVER MTG SCREW
8A	8-101	MAIN GEAR ASSEMBLY
10	8A-101	MAIN GEAR SHIM
15	15-101	HANDLE
15B	15B-101	HANDLE SHAFT
15C	15C-101	HANDLE PIVOT PIN
16	16-101	HANDLE COLLAR
19	19-101	PINION GEAR
20	20-101	BALL BEARING
23	23-101	BEARING COVER SCREW
24	24-101	BAIL WIRE
27	27-101	ROTOR CUP
27A	27A-101	ROTOR END COVER
28	28-101	TRIP LEVER
28A	28A-101	CAM LEVER
28B	28B-101	CAM LEVER MTG SCREW
28C	28C-101	TRIP CAM
28D	28D-101	CAM MOUNT SCREW
31	31-101	BAIL ARM SCREW

Model: 101

**KEY PART**

NO	NO.	DESCRIPTION
31A	31-101	BAIL WIRE MTG SCREW
32	32-101	BAIL SPRING
34	34-101	BAIL ARM
35	35-101	LINE ROLLER
36	36-101	ROLLER MTG SCREW
36A	36A-101	ROLLER LOCK WASHER
38	38-101	ROTOR NUT
39	39-101	CROSSWIND SHAFT
40B	40B-101	CLICK RATCHET
43	43-101	CROSSWIND ARM
44	44-101	CROSSWIND ARM PIN
45	45-101	HOUSING COVER W/ BUSHING
46	46-101	HOUSING COVER SCREW
46A	28D-101	ROTOR END COVER SCREW
47	47-101	SPOOL (COMPLETE)
49	49-101	CLICK SPRING
49A	3-101	CLICK SPRING SCREW
50	3-101	BAIL SPRING COVER SCREW
51	51-101	RETAINING RING
52	52-101	DRAG KNOB
56	56T-101	DRAG WASHER (TEFLON)
57	57-101	DRAG WASHER (KEYED)
58	58-101	DRAG WASHER (EAR)
60	60-101	THRUST WASHER (TEFLON)
106	106-101	CAM LEVER SPRING
132	132-101	ROLLER WASHER
227	227-101	BAIL SPRING COVER
233	233-101	HOUSING HANDLE CAP