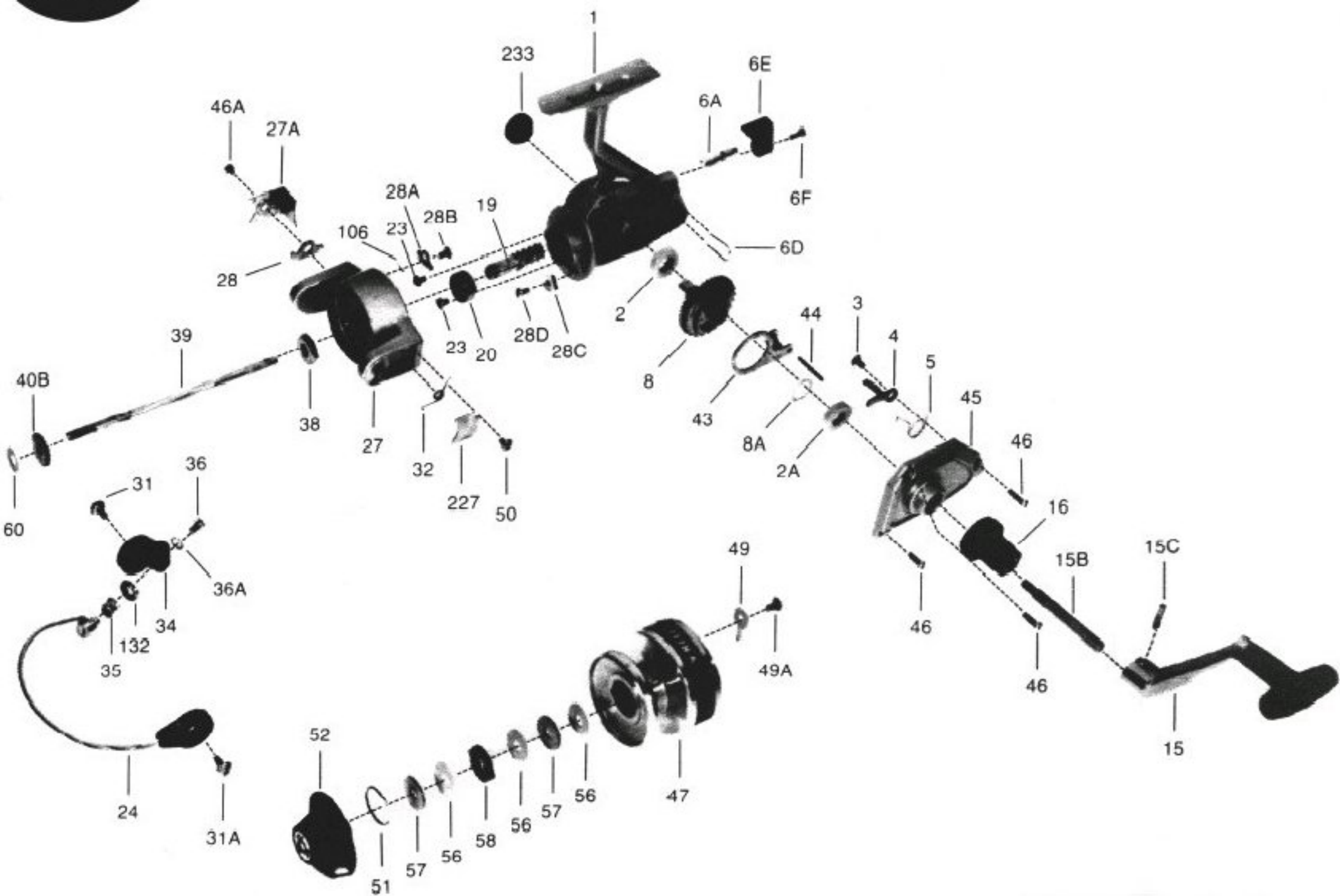




PARTS LIST FOR 103



KEY PART

NO NO.

DESCRIPTION

1	1-103	HOUSING W/ BUSHING EMBLEM
2	2-103	HOUSING BUSHING
2A	2-103	COVER BUSHING
3	3-101	DOG MOUNTING SCREW
4	4-103	DOG
6A	6A-103	ECCENTRIC
6D	6D-103	ECCENTRIC SPRING
6E	6E-103	ECCENTRIC LEVER
6F	6F-101	ECCENTRIC LEVER MTG SCREW
8	8-103	MAIN GEAR ASSEMBLY
8A	8A-103	MAIN GEAR SHIM
10	10-103	ANTI-REVERSE RATCHET
15	15-103	HANDLE
15B	15B-103	HANDLE SHAFT
15C	15C-103	HANDLE PIVOT PIN
16	16-103	HANDLE COLLAR
19	19-103	PINION GEAR
19A	19A-103	PINION GEAR SPACER
20	20-103	BALL BEARING
21	21-103	BEARING COVER
23	23-103	BEARING COVER SCREW
24	24-103	BAIL WIRE
27	27-103	ROTOR CUP
27A	27A-103	ROTOR END COVER
28	28-103	TRIP LEVER
28A	28A-103	CAM LEVER
28B	28B-103	CAM LEVER MTG SCREW
28C	28C-103	TRIP CAM
28D	28D-103	CAM MOUNT SCREW

KEY PART

NO NO.

DESCRIPTION

31	31-103	BAIL ARM SCREW
31A	31-103	BAIL ARM SCREW
32	32-103	BAIL SPRING
34	34-103	BAIL ARM
34A	34A-103	BAIL ARM SPACER
35	35-103	LINE ROLLER
36	36-103	ROLLER MTG SCREW
36A	36A-103	ROLLER LOCK WASHER
38	38-103	ROTOR NUT
39	39-103	CROSSWIND SHAFT
40B	40B-103	CLICK RATCHET
43	43-103	CROSSWIND ARM
44	44-103	CROSSWIND ARM PIN
45	45-103	HOUSING COVER W/ BUSHING
46	46-103	HOUSING COVER SCREW
46A	46A-103	ROTOR END COVER SCREW
47	47-103	SPOOL (COMPLETE)
49	49-103	CLICK SPRING
49A	3-101	CLICK SPRING SCREW
51	51-103	RETAINING RING
52	52-103	DRAG KNOB
56	56T-103	DRAG WASHER (TEFLON)
57	57-103	DRAG WASHER (KEYED)
58	58-103	DRAG WASHER (EAR)
60	60-103	THRUST WASHER (TEFLON)
106	106-103	CAM LEVER SPRING
132	132-103	ROLLER WASHER
227	227-103	BAIL SPRING COVER
233	233-103	HOUSING HANDLE CAP