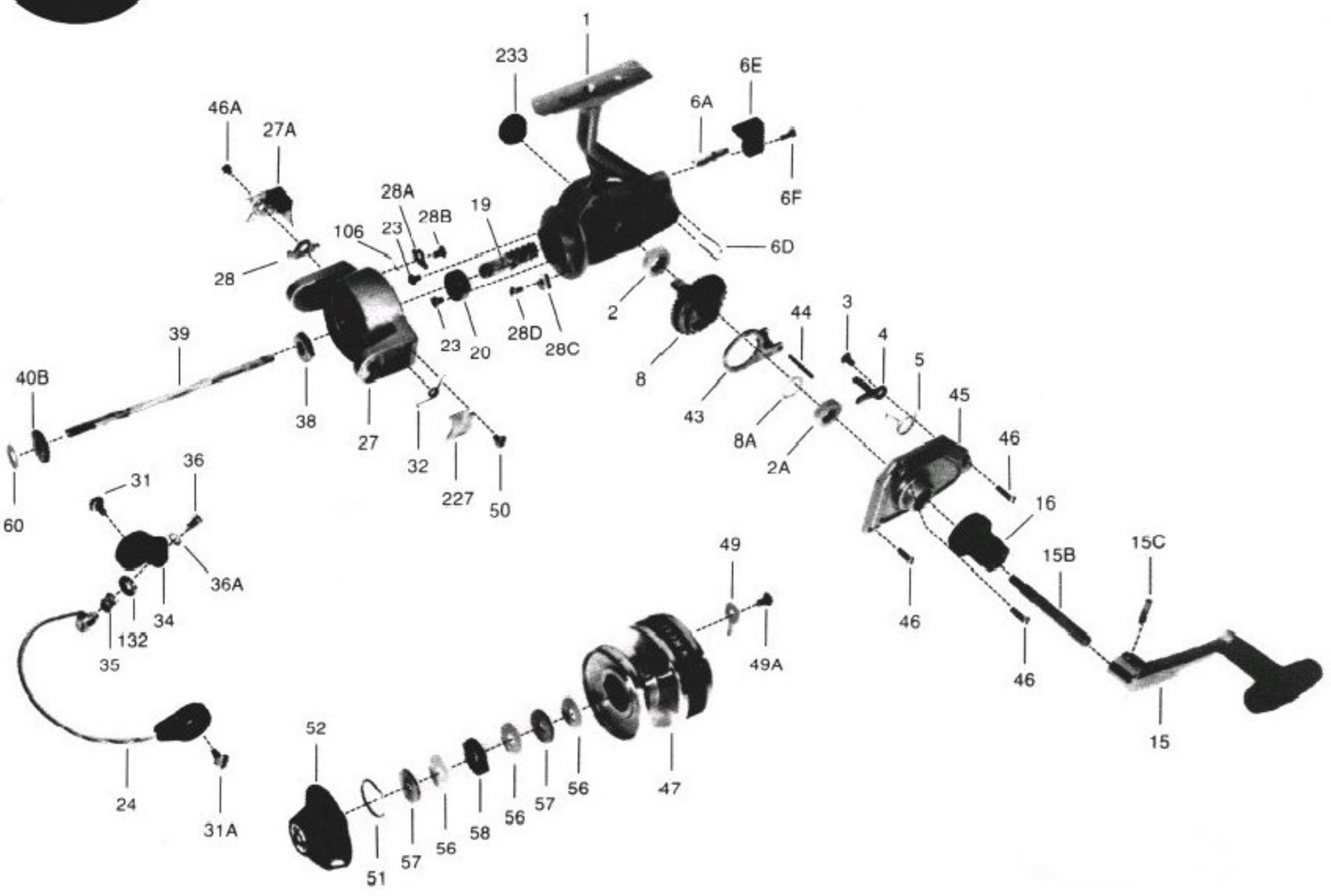




PARTS LIST FOR 105



Penn Reel Parts list for:

Model: 105

KEY PART		DESCRIPTION
NO	NO.	
1	1-105	HOUSING W/ BUSHING EMBLEM
2	2-105	HOUSING BUSHING
2A	2-105	COVER BUSHING
3	3-105	DOG MOUNTING SCREW
4	4-105	DOG
6A	6A-105	ECCENTRIC
6D	6D-105	ECCENTRIC SPRING
6E	6E-105	ECCENTRIC LEVER
6F	31-101	ECCENTRIC LEVER MTG SCREW
8	8-105	MAIN GEAR ASSEMBLY
8A	8A-105	MAIN GEAR SHIM
10	10-105	ANTI-REVERSE RATCHET
15	15-105	HANDLE
15B	15B-105	HANDLE SHAFT
15C	15C-105	HANDLE PIVOT PIN
16	16-105	HANDLE COLLAR
19	19-105	PINION GEAR
19A	19A-105	PINION GEAR SPACER
20	20-105	BALL BEARING
21	21-105	BEARING COVER
23	23-103	BEARING COVER SCREW
24	24-105	BAIL WIRE
27	27-105	ROTOR CUP
27A	27A-105	ROTOR END COVER
28	28-105	TRIP LEVER
28A	28A-105	CAM LEVER
28B	28B-105	CAM LEVER MTG SCREW
28C	28C-105	TRIP CAM
28D	28D-101	CAM MOUNT SCREW
31	31-103	BAIL ARM SCREW

KEY PART		DESCRIPTION
NO	NO.	
31A	31-103	BAIL ARM SCREW
32	32-105	BAIL SPRING
34	34-105	BAIL ARM
34A	34A-105	BAIL ARM SPACER
35	35-105	LINE ROLLER
36	36-105	ROLLER MTG SCREW
36A	36A-105	ROLLER LOCK WASHER
38	38-105	ROTOR NUT
39	39-105	CROSSWIND SHAFT
40B	40B-105	CLICK RATCHET
43	43-105	CROSSWIND ARM
43A	43A-105	CROSSWIND BLOCK
43B	43B-105	CROSSWIND ARM SCREW
44	44-105	CROSSWIND PIN
45	45-105	HOUSING COVER W/ BUSHING
46	46-103	HOUSING COVER SCREW
46A	46A-103	ROTOR END COVER SCREW
47	47-105	SPOOL (COMPLETE)
49	49-103	CLICK SPRING
49A	28D-101	CLICK SPRING SCREW
51	51-105	RETAINING RING
50	23-103	BAIL SPRING COVER SCREW
52	52-105	DRAG KNOB
56	56T-105	DRAG WASHER (TEFLON)
57	57-105	DRAG WASHER (KEYED)
58	58-105	DRAG WASHER (EAR)
60	60-105	THRUST WASHER (TEFLON)
106	106-105	CAM LEVER SPRING
132	132-105	ROLLER WASHER
227	227-105	BAIL SPRING COVER
233	233-105	HOUSING HANDLE CAP