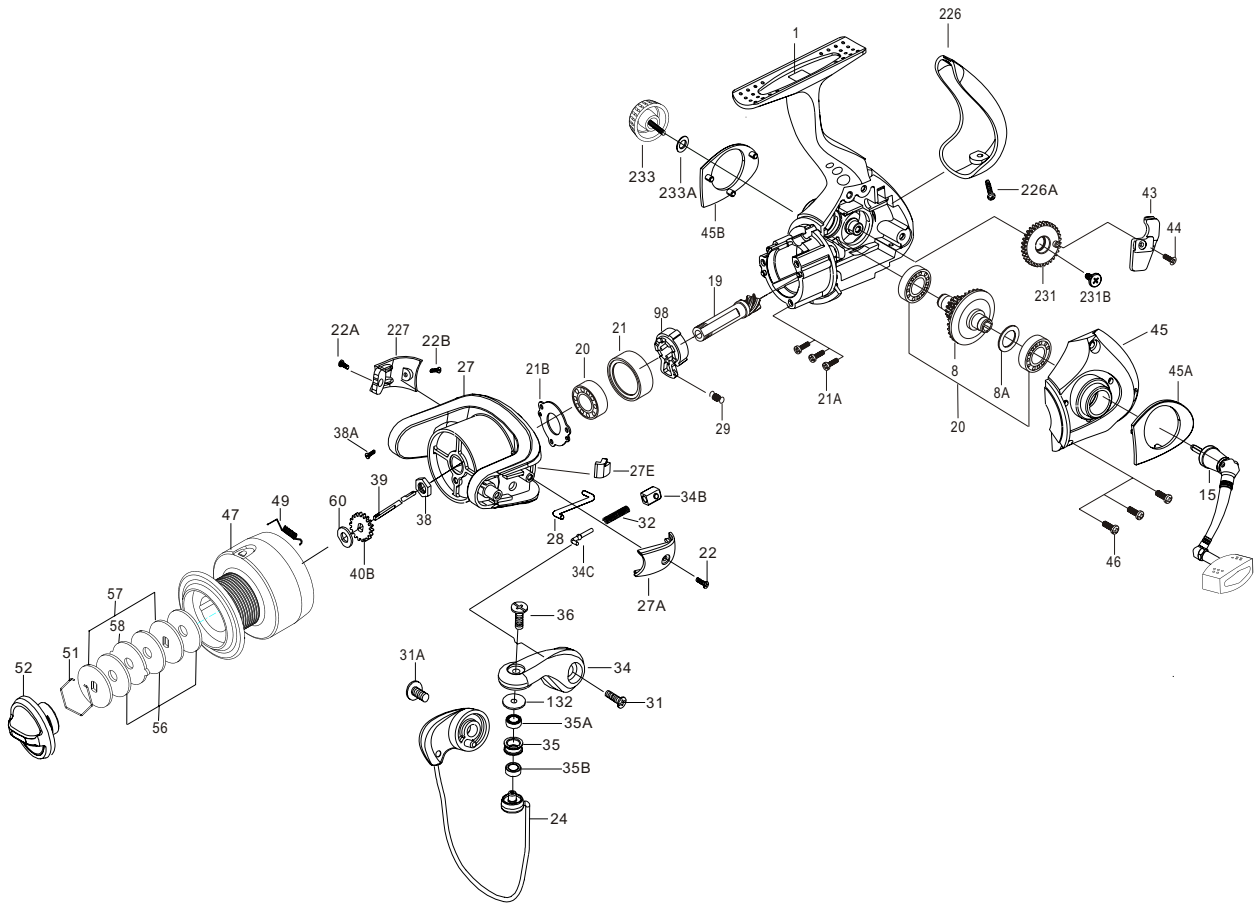




PARTS LIST FOR MODEL SV5000



KEY

NO. DESCRIPTION

- 1 HOUSING
- 8 Main Gear Assembly
- 8A Main Gear Shim
- 15 Handle Assembly
- 19 Pinion Gear
- 20 Ball Bearing(3req.)
- 21 Collar
- 21A Bearing Mounting Screw(3 req.)
- 21B Ball Bearing Fixed Washer
- 22 Ball Arm Cover Screw
- 22A Side Cover Screw
- 22B Side Cover Screw
- 24 Bail Wire
- 27 Rotor Cup
- 27A Bail Pivot Cover
- 27E Balance Weight
- 28 Trip Lever
- 29 Spring
- 31 Bail Arm Screw
- 31A Bail Wire Screw
- 32 Bail Spring
- 34 Ball Arm
- 34B Pivot Guide
- 34C Pivot Arm
- 35 Line Roller
- 35A Line Roller Ball Bearing
- 35B Line Roller Bushing
- 36 Bail Stud Screw
- 38 Rotor Nut
- 38A Rotor Nut Screw
- 39 Spool Shaft
- 40B Click Ratchet
- 43 Crosswind Block
- 44 Crosswind Block Screw
- 45 Housing Cover
- 45A L.S. Rear cap
- 45B R.S. Rear cap
- 46 Housing Cover Screw(3 req.)
- 47 Spool Assembly
- 49 Spool Click Spring
- 51 Retaining Ring
- 52 Drag Knob
- 56 Friction Drag Washer(3req.)
- 57 Keyed Washer(2 req.)
- 58 Drag Washer Earred
- 60 Thrust Washer
- 98 Clutch Retainer
- 132 Roller Washer
- 226 Rear Cap
- 226A Rear Cap Screw
- 227 Cam Cover
- 231 Crosswind Gear
- 231B Crosswind Gear Screw
- 233 Bearing Cover
- 233A Bearing Cover Washer

PART

NO.

- 001 5000SV
- 008 5000SV
- 008A 5000CV
- 015 5000SV
- 019 5000SV
- 020 5000CV
- 021 5000SV
- 021A2000SV
- 021B5000SV
- 022 2000SV
- 022A2000SV
- 022B2000SV
- 024 5000SV
- 027 5000SV
- 027A5000SV
- 027E5000SV
- 028 5000SV
- 029 4000SV
- 031 2000CV
- 031 2000CV
- 032 5000SV
- 034 5000SV
- 034B5000SV
- 034C5000SV
- 035 4000SV
- 035A2000CV
- 035B4000SV
- 036 4000SV
- 038 5000CV
- 038A2000CV
- 039 5000SV
- 040B5000CV
- 043 5000SV
- 044 2000SV
- 045 5000SV
- 045A5000SV
- 045B5000SV
- 046 2000CV
- 047 5000SV
- 049 2000CV
- 051 2000CV
- 052 5000SV
- 056 2000CV
- 057 5000CV
- 058 2000CV
- 060 5000CV
- 098 5000SV
- 132 2000CV
- 226 5000SV
- 226A2000SV
- 227 5000SV
- 231 5000SV
- 231B5000SV
- 233N2000CV
- 233A2000SV