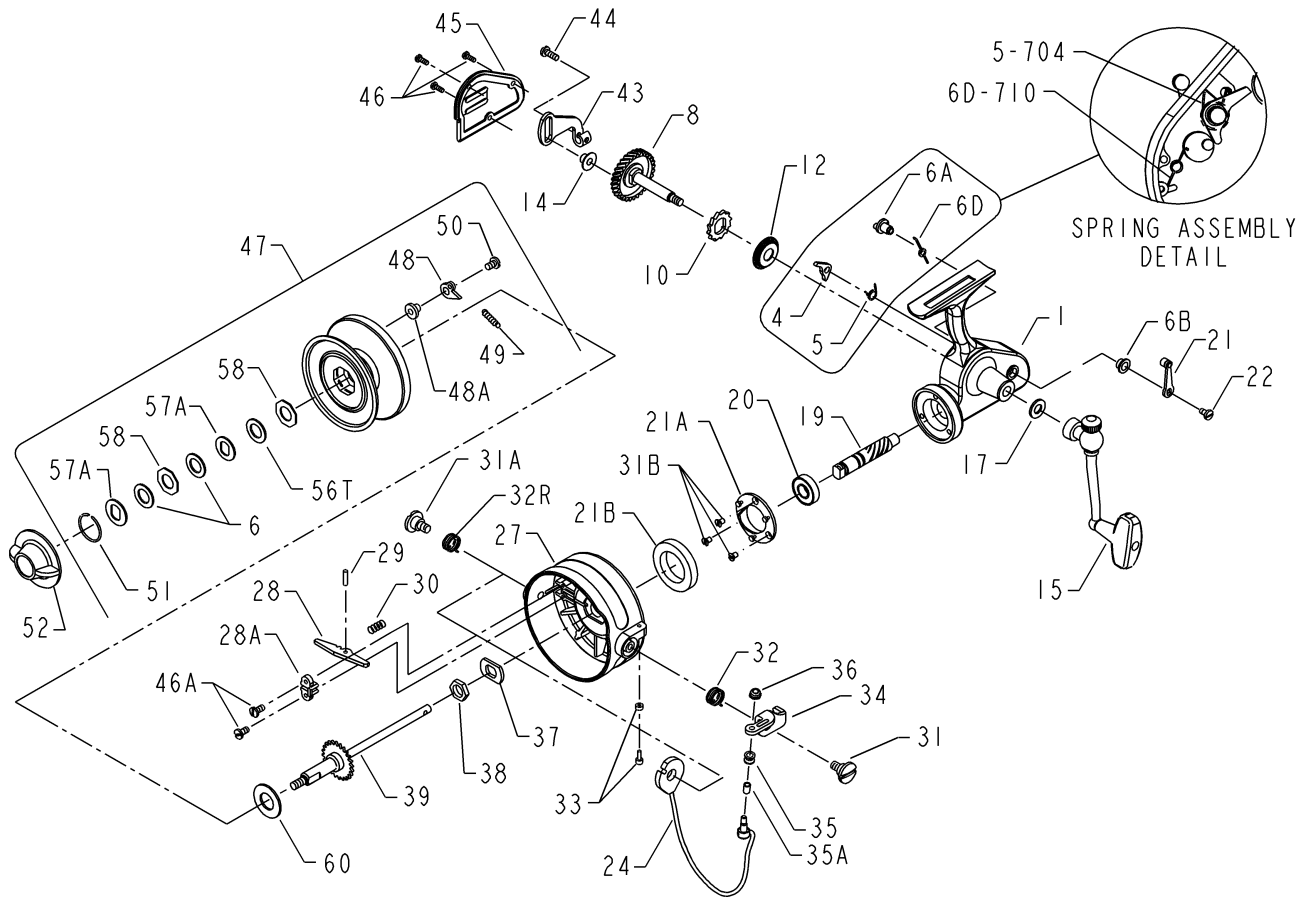


PENN PARTS LIST FOR MODELS 704Z AND 705Z



<u>KEY NO.</u>	<u>PART NO.</u>	<u>DESCRIPTION</u>
8	008 704	Main Gear w/Ratchet
*	*008 705	Main Gear w/Ratchet (705)
10	010 704	Ratchet
12	012 704	Main Gear Thrust Washer
14	014 710	Crosswind Roller
15	015 704	Handle (Complete)
*	*015 705	Handle (Complete) (705)
17	017 710	Handle Washer
19	019 704	Pinion Gear
20	020 704	Pinion Bearing
21	021 109	Eccentric Lever
21A	021 704	Bearing Retainer
21B	021B704	Rotor Brake
22	022 109	Eccentric Screw
24	024 704	Bail Wire
27	027 704	Rotor Cup
28	028 704	Bail Release Arm
28A	028A704	Bail Release Saddle
29	029 704	Bail Release Pin
30	030 704	Bail Release Spring
31	031 704	Bail Arm Screw
31A	031 704	Bail Arm Screw
31B	031 019	Bearing Cover Screw (3 req.)
32	032 704	Bail Spring
32R	032R704	Secondary Bail Spring
33	033 704	Bumper
34	034 704	Bail Arm
35	035 704	Line Roller
35A	035A 704	Roller Sleeve
36	036 700	Bail Lock Nut
37	037 704	Rotor Cup Washer
38	038 704	Rotor Cup Nut
39	039 704	Spool Shaft
43	043 704	Crosswind Arm
44	044 704	Crosswind Screw
45	045 704Z	Housing Plate
*	*045 705Z	Housing Plate (705)
46	046A704	Housing Plate Screw (3 req.)
46A	046A704	Saddle Screw (2 req.)
47	047 704Z	Spool (Complete)
48	048 450	Click Tongue
48A	048A750	Click Tongue Washer
49	049 710	Click Spring
50	022 750	Click Screw
51	051 704	Retaining Spring
52	052 704	Drag Knob
56T	056T704	Drag Washer (Teflon®)
57A	057A750	Metal Keyed Washer (2 req.)
58	058 704	Metal Washer (Octagon) (2 req.)
60	060 710	Rear Drag Washer (Teflon®)

<u>KEY NO.</u>	<u>PART NO.</u>	<u>DESCRIPTION</u>
1	001 704	Housing w/Bushing
*	*001 705	Housing w/Bushing (705)
4	004 704	Dog
5	005 704	Dog Spring
*	*005 705	Dog Spring (705)
6	006 060	Drag Washer-HT100 (2 req.)
6A	006A704	Eccentric
*	*006A705	Eccentric (705)
6B	006B700Z	Eccentric Liner
6D	006D710	Eccentric Spring

* Not Shown