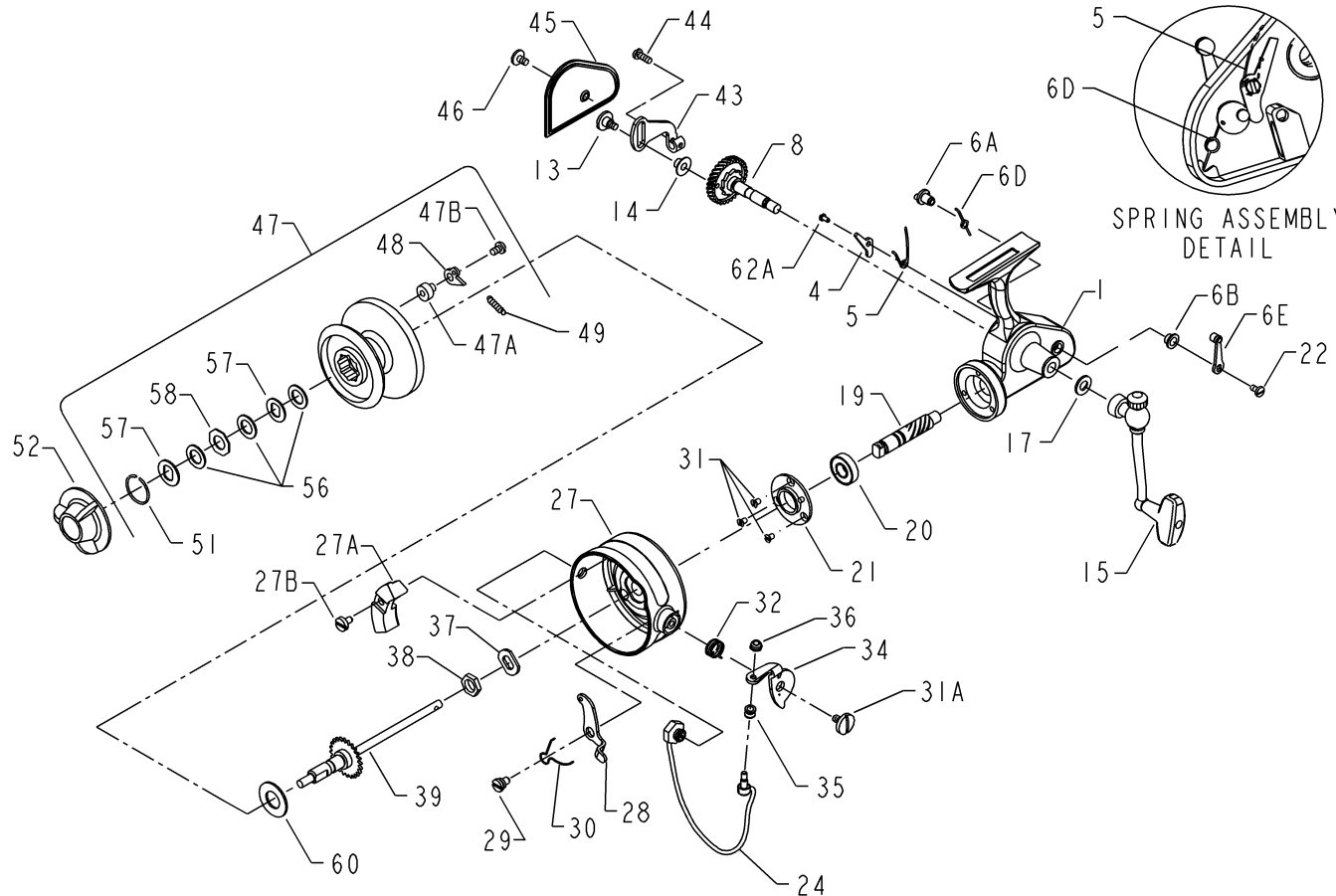


**PENN** PARTS LIST FOR MODELS 710Z AND 711Z



| <u>KEY NO.</u> | <u>PART NO.</u> | <u>DESCRIPTION</u>           |
|----------------|-----------------|------------------------------|
| 1              | 001 710         | Housing w/Bushing            |
| 4              | 004 710         | Dog                          |
| 5              | 005 710         | Dog Spring                   |
| 6A             | 006A710         | Eccentric                    |
| 6B             | 006B700Z        | Eccentric Liner              |
| 6D             | 006D710         | Eccentric Spring             |
| 6E             | 006E710         | Eccentric Lever              |
| 8              | 008 710         | Main Gear w/Ratchet          |
| 13             | 013 710         | Crosswind Screw              |
| 14             | 014 710         | Crosswind Roller             |
| 15             | 015 710         | Handle Assembly (Complete)   |
| 17             | 017 710         | Handle Washer                |
| 19             | 019 710         | Pinion Gear                  |
| 20             | 020 704         | Pinion Bearing               |
| 21             | 021 710         | Bearing Retainer             |
| 22             | 022 109         | Eccentric Screw              |
| 24             | 024 710         | Bail Wire Assembly           |
| 27             | 027 710         | Rotor Cup                    |
| 27A            | 027AN710        | Counterweight                |
| 27B            | 027B710         | Screw                        |
| 28             | 028 710         | Bail Release Arm             |
| 29             | 029 710         | Bail Release Screw           |
| 30             | 030 710         | Bail Release Spring          |
| 31             | 031 019         | Bearing Cover Screw (3 req.) |
| 31A            | 031 710         | Bail Screw                   |
| 32             | 032 710         | Bail Spring                  |
| 34             | 034 710         | Bail Arm                     |
| 35             | 035 720         | Line Roller                  |
| 36             | 036 700         | Bail Lock Nut                |
| 37             | 037 710         | Rotor Cup Washer             |
| 38             | 038 710         | Rotor Cup Nut                |
| 39             | 039 710         | Spool Shaft Assembly         |
| 43             | 043 710         | Crosswind Block              |
| 44             | 043 710         | Crosswind Screw              |
| 45             | 045 710         | Housing Cover                |
| 46             | 046 710         | Housing Cover Screw          |
| 47             | 047 710         | Spool Assembly(Complete)     |
| 47A            | 047A710         | Click Bushing                |
| 47B            | 047B710         | Click Screw                  |
| 48             | 048 710         | Click Tongue                 |
| 49             | 049 710         | Click Spring                 |
| 51             | 051 710         | Retaining Spring             |
| 52             | 052 710         | Drag Knob                    |
| 56             | 056 710         | Drag Washer-HT100 (3 req.)   |
| 57             | 057 710         | Metal Keyed Washer (2 req.)  |
| 58             | 058 710         | Metal Washer (Octagon)       |
| 60             | 060 710         | Thrust Washer (Teflon)       |
| 62A            | 062A716         | Dog Screw                    |