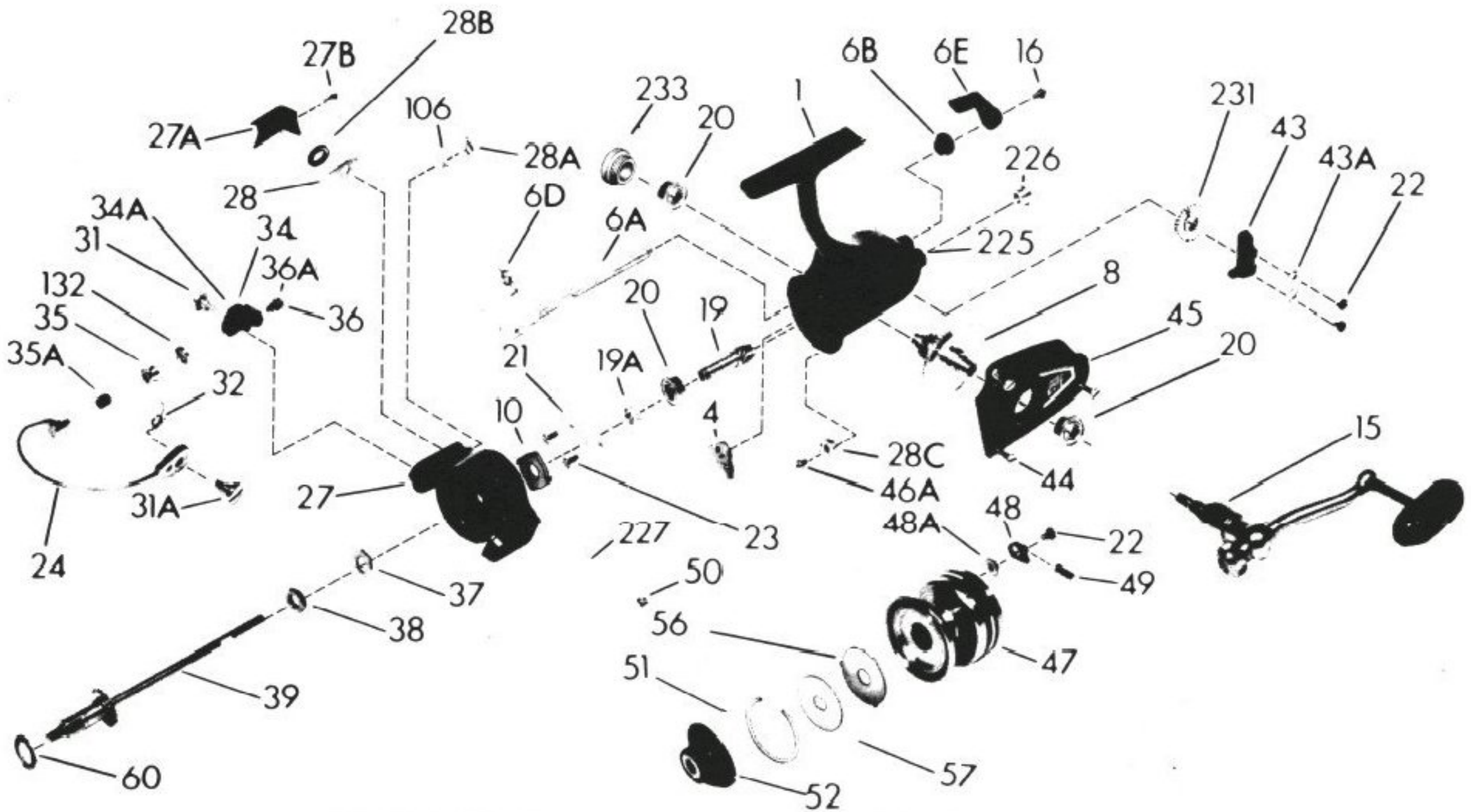


PARTS LIST FOR MODEL 440SS



Penn Reel Parts list for:

Model: 440SS

KEY PART

KEY PART

NO	NO.	DESCRIPTION
1	1P-4400	HOUSING
4	4-450	DOG (f/older models)
6A	6A-440	ECCENTRIC
6B	6B-750	ECCENTRIC LINER
6D	6D-710	ECCENTRIC SPRING
6E	6E-750	ECCENTRIC LEVER
8	8-440	MAIN GEAR
10	10-440	RATCHET (f/older models)
15	15-440	HANDLE (COMPLETE)
16	16-910	ECCENTRIC SCREW
19	19-440	PINION
19A	19A-550	PINION SPACER
20	20-722	BALL BEARING
21	21-450	BEARING COVER
22	22-750	SPOOL CLICK SCREW
23	23-750	BEARING COVER SCREW
24	24-440	BAIL WIRE
27	27-4400	ROTOR
27A	27A-440	BAIL TRIP COVER
27B	27B-420	ROTOR END SCREW
28	28-440	TRIP LEVER
28A	28A-440	CAM LEVER
28B	28B-440	TRIP LEVER BUSHING
28C	28C-440	TRIP CAM
31	31-550	BAIL ARM SCREW
31A	31A-450	BAIL CAM SCREW
32	32-450	BAIL SPRING
34	34-450	BAIL ARM
34A	34A-550	BAIL ARM BUSHING

NO	NO.	DESCRIPTION
35	35-704	LINE ROLLER
35A	35A-704	LINE ROLLER BRUSHING
36	36-750	BAIL STUD SCREW
36A	36A-750	LOCK WASHER
37	37-450	ROTOR WASHER
38	38-550	ROTOR NUT
39	39-440	SPOOL SHAFT
43	43-440	CROSSWIND BLOCK
43A	43A-440	CROSSWIND BLOCK PLATE
44	44-704	HOUSING COVER SCREW
45	45-440	HOUSING COVER
46A	46A-704	TRIP CAM SCREW
47	47-440	SPOOL (COMPLETE)
48	48-450	CLICK TOUNGE
48A	48A-750	CLICK TOUNGE WASHER
49	49-710	CLICK TOUNGE SPRING
50	50-712	BAIL SPRING COVER SCREW
51	51-440	RETAINING RING
52	52-440	DRAG KNOB
56	56-440	DRAG WASHER
57	57-440	METAL KEYED WASHER
60	60-450	THRUST WASHER (TEFLON)
106	106-450	LEVER SPRING
132	132-450	ROLLER WASHER
225	225-440	CROSSWIND SHAFT BUSHING
226	226-450	BUSHING CAP COVER
227	227-440	BAIL SPRING COVER
231	231-440	CROSSWIND GEAR
233	233-440	BEARING COVER