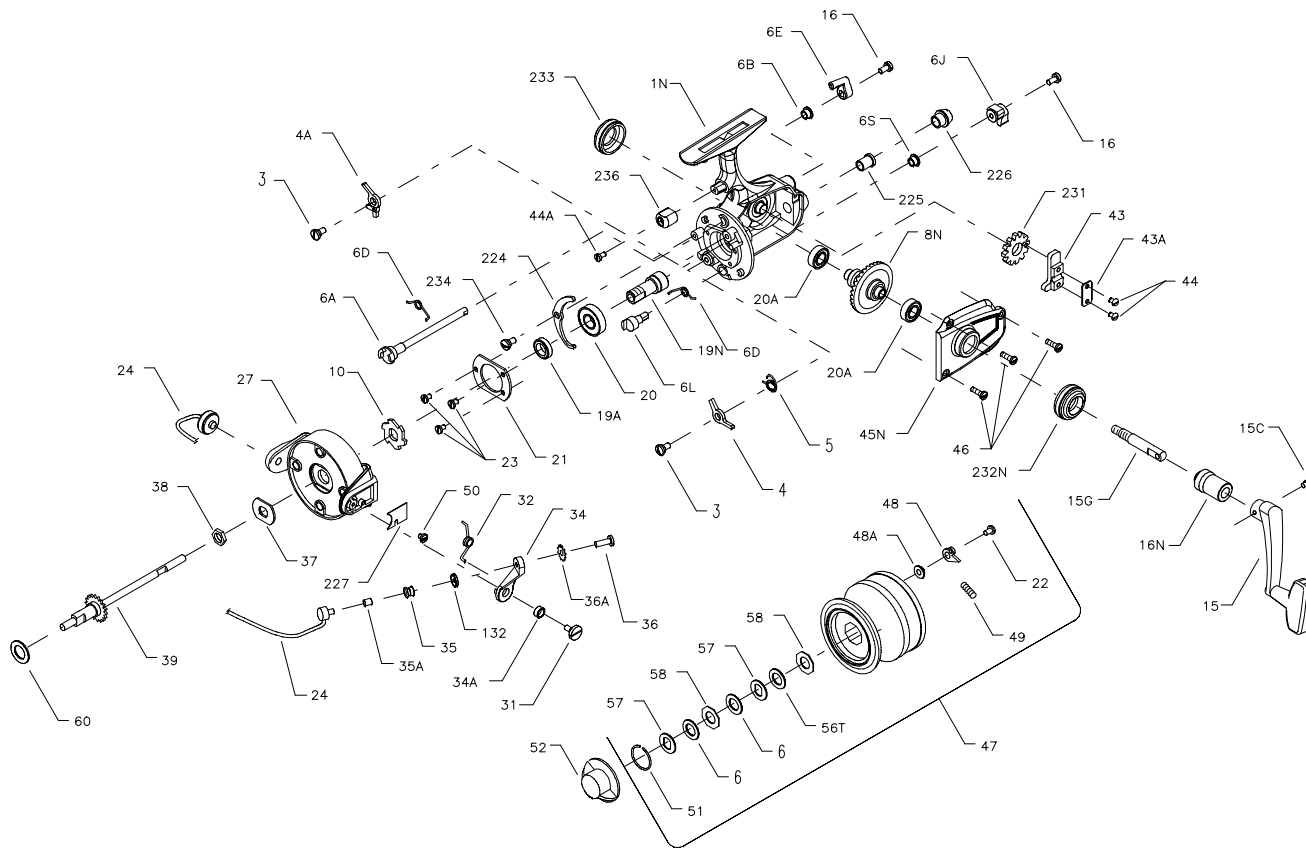




PARTS LIST FOR MODEL 6500SS



KEY NO.	PART NO.	DESCRIPTION
6A	006A650	Upper Eccentric
6B	006B750	Upper Eccentric Liner
6D	006D710	Eccentric Spring (2 req.)
6E	006E750	Anti-Reverse Lever
6J	006J750	Silent Dog Lever
6L	006L650	Silent Eccentric
6S	006B700Z	Silent Eccentric Liner
8N	008N6500	Main Gear
10	010 650	Ratchet
15	015 650	Handle
15C	015C650	Pivot Screw
15G	015G6500	Handle Pivot
16	016 910	Eccentric Spring (2 req.)
16N	016N6500	Handle Collar
19A	019A650	Pinion Spacer
19N	019N6500	Pinion
20	020 704	Ball Bearing
20A	020 6500	Ball Bearing (2 req.)
21	021 750	Bearing Cover
22	022 750	Spool Click Screw
23	023 750	Bearing Cover Screw (3 req.)
24	024 650	Bail Wire
27	027 650	Rotor
31	031 750	Bail Arm Screw
32	032 750	Bail Arm Spring
34	034 750	Bail Arm
34A	034A750	Bail Arm Bushing
35	035 750	Liner Roller
35A	035A704	Line Roller Bushing
36	036 750	Bail Stud Screw
36A	036A750	Lock Washer
37	037 650	Rotor Washer
38	038 710	Rotor Nut
39	039 650	Spool Shaft
43	043 750	Crosswind Block
43A	043A750	Crosswind Block Plate
44	044 750	Crosswind Block Screw (2 req.)
44A	044 750	Trip Bumper Screw
45N	045N6500	Housing Cover
46	046 750	Housing Cover Screw (3 req.)
47	047 6500	Spool (Complete)
48	048 750	Click Tongue
48A	048A750	Click Tongue Washer
49	049 710	Click Tongue Spring
50	052 712	Bail Spring Cover Screw
51	051 650	Retaining Ring
52	052 650	Drag Knob
56T	056T650	Drag Washer (Teflon®)
57	057 650	Drag Washer (Keyed) (2 req.)
58	058 650	Metal Keyed (Octagon) (2 req.)
60	060 750	Thrust Washer
132	132 750	Roller Washer
224	224 650	Transfer Lever
225	225 750	Crosswind Shaft Bushing
226	226 7500	Bushing Cap
227	227 750	Bail Spring Cover
231	231 650	Crosswind Gear
232N	232N6500	Bearing Cover (Open)
233	233 650	Bearing Cover (Closed)
234	234 750	Transfer Lever Screw
236	236 750	Trip Bumper
*	*300 6500	Power Handle

KEY NO.	PART NO.	DESCRIPTION
1N	001N6500	Housing
3	003 750	Dog Screw (2 req.)
4	004 650	Dog
4A	004A650	Silent Dog
5	005 704	Click Dog Spring
6	006 155	Drag Washer HT-100 (2 req.)