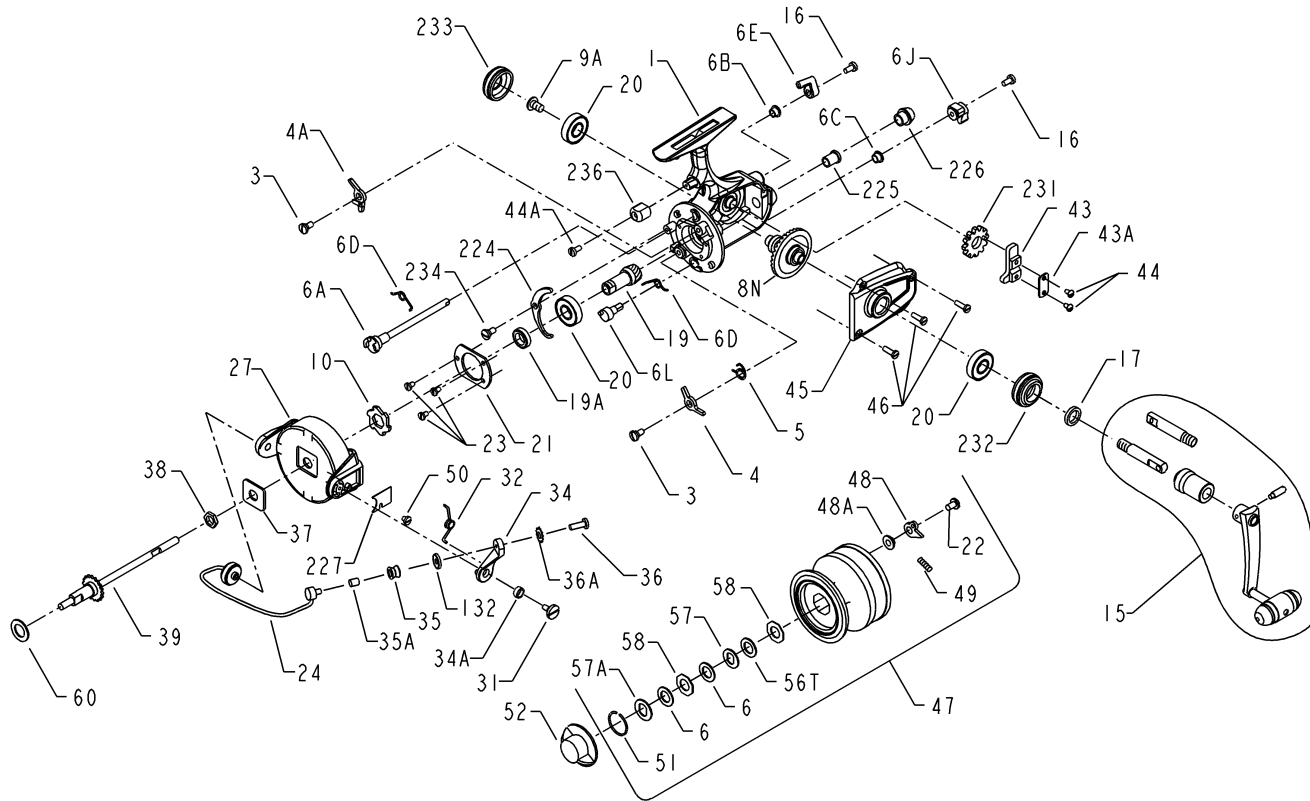


PENN PARTS LIST FOR MODELS 750SS AND 850SS



NOT ALL PARTS ARE AVAILABLE.

<u>KEY NO.</u>	<u>DESCRIPTION</u>	<u>PART NO.</u>
1	Housing	001 7500
*	*Housing	*001 8500
3	Dog Screw	003 750
4	Dog	004 750
4A	Silent Dog	004A750
5	Click Dog Spring	005 704
6	Drag Washer-HT-100	006 060
6A	Upper Eccentric	006A750
6B	Upper Eccentric Liner	006B750
6C	Silent Eccentric Screw	006B700Z
6D	Eccentric Spring	006D710
6E	Anti-Reverse Lever	006E750
6J	Silent Dog Lever	006J750
6L	Silent Eccentric	006L750
7*	*Pinion Bushing	*007 750
8N	Main Gear	008N750
9A	Standard Drive Screw	009A750

<u>KEY NO.</u>	<u>DESCRIPTION</u>	<u>PART NO.</u>
10	Ratchet	010 750
15	Handle Assembly	015 750N
16A	Eccentric Screw (2 req.)	016 910
17	Seal Washerr	017 750
19	Pinion	019 750
19A	Pinion Spacer	019A750
20	Bearing	020 704
21	Bearing Cover	021 750
22	Spool Click Screw	022 750
23	Bearing Cover Screw (3 req.)	023 750
24	Bail Wire	024 750
*	*Bail Wire	*024 850
27	Rotor	027 750
*	*Rotor	*027 850
31	Bail Arm Screw	031 750
32	Bail Arm Spring	032 750
34	Bail Arm	034 750
34A	Bail Arm Bushing	034A750
35	Line Roller	035 750
35A	Roller Sleeve	035A704
36	Bail Stud Screw	036 750
36A	Lock Washer	036A750
37	Rotor Washer	037 706
38	Rotor Nut	038 710
39	Crosswind Shaft	039 750
43	Crosswind Block	043 750
43A	Crosswind Block Plate	043A750
44	Crosswind Block Screw (2 req.)	044 750
44A	Trip Bumper Screw	044 750
45	Housing Cover	045 7500
46	Housing Cover Screw (3 req.)	046 750
47	Spool Complete	047 7500
*	*Spool Complete	*047 8500
48	Click Tongue	048 750
48A	Click Tongue Washer	048A750
49	Click Tongue Spring	049 710
50	Bail Spring Cover Screw	050 712
51	Retaining Ring	051 704
52	Drag Knob	052 750
56T	Drag Washer (Teflon®)	056T704
57	Drag Washer (Keyed) Small	057 704
57A	Drag Washer (Keyed) Small	057A750
58	Metal Washer (Octagon)	058 704
60	Thrust Washer	060 750
132	Roller Washer	132 750
224	Transfer Lever	224 750
225	Crosswind Shaft Bushing	225 750
226	Bushing Cap Cvoer	226 750
227	Bail Spring Cover	227 750
231	Crosswind Gear	231 750
232	Bearing Cover (Open)	232 750
233	Bearing Cover (Closed)	233 750
234	Transfer Lever Screw	234 750
236	Trip Bumper	236 750
*	*Power Handle	*300 7500

*Not Shown