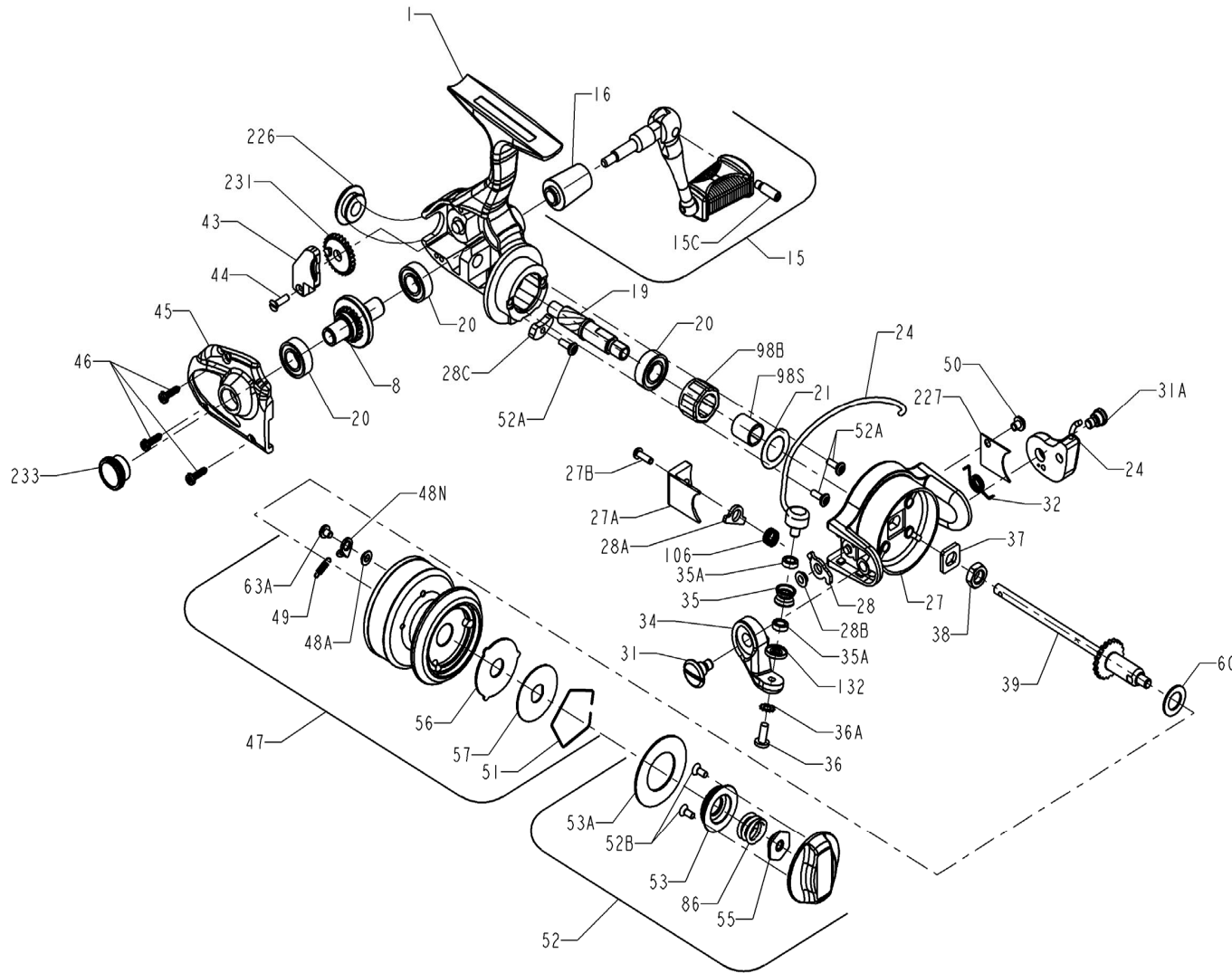




PARTS LIST FOR MODEL 430SSG



KEY NO.	PART NO.	DESCRIPTION
1	001 430G	Housing
8	008 430G	Main Gear
15	015 430G	Handle (Complete)
15C	015C650	Handle Pivot Screw
16	016 430G	Collar
19	019 430G	Pinion
20	020 722	Ball Bearing
21	021 430G	Bearing Retainer
24	024 430G	Bail Wire (Complete)
27	027 430G	Rotor Cup
27A	027A4300	Bail Trip Cover
27B	027B420	Screw
28	028 420	Trip Lever
28A	028A440	Cam Lever
28B	028B440	Trip Lever Bushing
28C	028C420	Trip Cam
31	031 430G	Bail Arm Screw
31A	031A550G	Bail Cam Screw
32	032 420	Bail Spring
34	034 420	Bail Arm
35	035 550G	Line Roller
35A	035A8500J	Ball Bearing
36	036 420	Bail Stud Screw
36A	036A750	Lock Washer
37	037 420	Rotor Washer
38	038 720	Rotor Cup Nut
39	039 430G	Spool Shaft
43	043 430G	Crosswind Block
44	044 260	Cover Block Screw
45	045 430G	Housing Cover
46	046 430G	Self Tapping Screw
47	047 430G	Spool (Complete)
48A	048A4300	Click Tongue Bushing
48N	048N4300	Click Tongue
49	049 4300	Click Spring
50	050 712	Bail Spring Cover Screw
51	051 430G	Retaining Ring
52	052 430G	Drag Knob (Complete)
52A	052A260	Self Tapping Screw
52B	052A430G	Self Tapping Screw
53	053 430G	Drag Knob Insert
53A	053A430G	Drag Knob Seal
55	055 430G	Drag Knob Nut
56	056 4200	Drag Washer HT-100
57	057 4200	Drag Washer (Metal)
60	060 716	Thrust Washer
63A	063A2.5FR	Click Spring Screw
86	086 5600	Drag Knob Spring
98B	098B420G	Clutch Bearing
98S	098S550G	Clutch Sleeve
106	106 5500	Cam Lever Spring
132	132 5500J	Roller Washer
226	226 430G	Rear Cap
227	227 4300	Bail Spring Cover
231	231 430G	Crosswind Gear
233	233 430G	Bearing Cover

