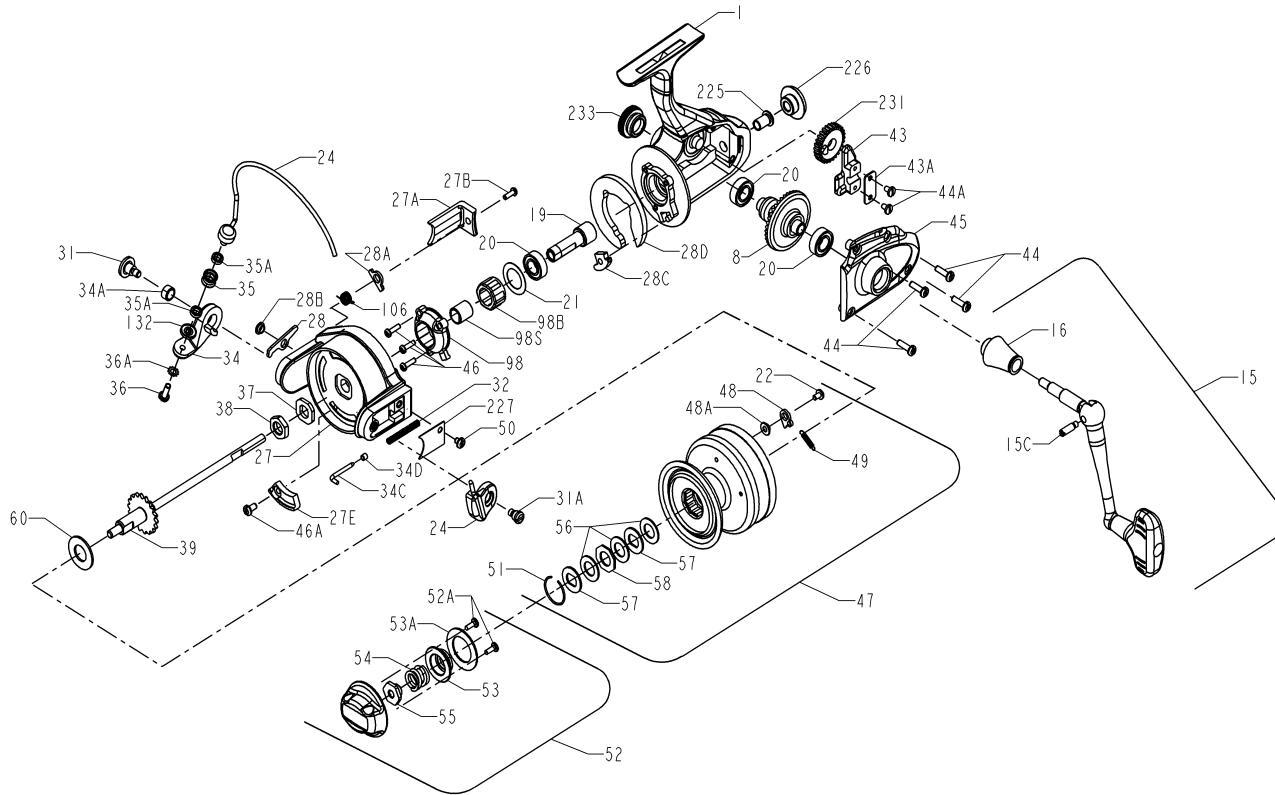




PARTS LIST FOR MODEL 450SSG



KEY NO.	PART NO.	DESCRIPTION
22	022 750	Spool Click Screw
24	024 450G	Bail Wire
27	027 450G	Rotor
27A	027A450	Bail Trip Cover
27B	027B420	Rotor End Screw
27E	027E550G	Balance Weight
28	028 450	Trip Lever
28A	028A440	Cam Lever
28B	028B5500	Trip Lever Bushing
28C	028C440	Trip Cam
28D	028D450G	Friction Ring
31	031 550	Bail Arm Screw
31A	031A550G	Bail Cam Screw
32	032 5600	Bail Spring
34	034 450	Bail Arm
34A	034A550	Bail Arm Bushing
34C	034C550G	Pivot Arm
34D	034D550G	Pivot Arm Bushing
35	035 550G	Line Roller
35A	035A8500J	Ball Bearing
36	036 750	Bail Stud Screw
36A	036A750	Lock Washer
37	037 450	Rotor Washer
38	038 550	Rotor Nut
39	039N4500	Spool Shaft
43	043 550G	Crosswind Block
43A	043A550	Crosswind Block Plate
44	044 704	Cover Screw
44A	022 750	Crosswind Block Screw
45	045 450G	Housing Cover
46	046 4300	Screw
46A	046A704	Screw
47	047 450G	Spool
48	048 450	Click Tongue
48A	048A750	Click Tongue Washer
49	049 710	Click Tongue Spring
50	050 712	Bail Spring Cover Screw
51	051 710	Retaining Ring
52	052 550G	Drag Knob (Complete)
52A	052A260	Self Tapping Screw
53	053 5500I	Drag Knob Insert
53A	053A6500	Drag Knob Seal
54	054 440	Drag Spring
55	055 550	Drag Knob Nut
56	056 710	Drag Washer HT-100
57	057 710	Metal Keyed Washer
58	058 710	Metal Slot
60	060 450	Thrust Washer
98	098 550G	Clutch Retainer
98B	098B360	Bearing
98S	098S550G	Clutch Bearing Sleeve
106	106 5500	Lever Spring
132	132 5500J	Roller Washer
225	225 5500	Spool Shaft Bushing
226	226 550G	Rear Cap
227	227 440	Bail Spring Cover
231	231 450G	Crosswind Gear
233	233 440	Bearing Cover

KEY NO.	PART NO.	DESCRIPTION
1	001 450SSG	Housing
8	008N5500	Main Gear
15	015 550G	Handle
15C	015C650	Handle Pivot Screw
16	016 550G	Collar
19	019 550G	Pinion
20	020 722	Ball Bearing
21	021 550G	Bearing Cover