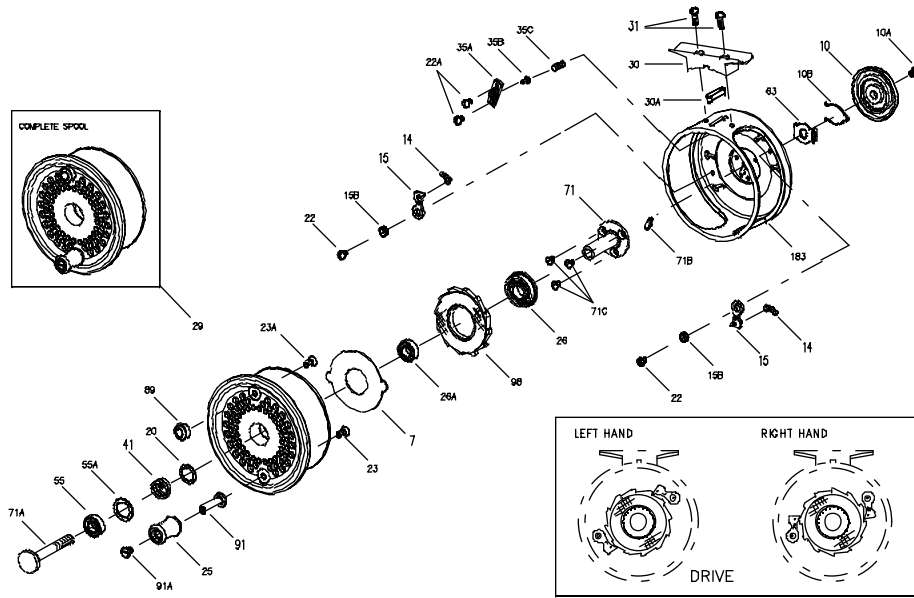




PARTS LIST FOR MODELS 1.5, 1.5G, 2.5, 2.5G, 4 AND 4G



KEY NO.	PART NO.	DESCRIPTION
7	007 1.5FR	Metal Drag Washer
	007 2.5FR	Metal Drag Washer
	007 4FR	Metal Drag Washer
10	010N2.5FR	Drag Knob
10A	010A2.5FR	Retaining Screw
10B	010B2.5FR	Detent Spring
14	014 500	Dog Coil Spring (2 req.)
15	015 2.5FR	Dog (#1.5) (2 req.)
	015 2.5FR	Dog (2 req.)
	015 4FR	Dog (2 req.)
15B	015B2.5FR	Dog Bushing (2 req.)
20	020 2.5FR	Spool Thrust Washer
	020 2.5FR	Spool Thrust Washer
	020 4FR	Spool Thrust Washer
22	022 2.5FR	Dog Screw (2 req.)
22A	022 2.5FR	Click Housing Screw (2 req.)
23	023 2.5FR	Handle Post Screw (2 req.)
23A	023A2.5FR	Handle Post Screw (2 req.)
25	025 2.5FR	Handle Knob (#1.5)
	025 2.5FR	Handle Knob
	025 4FR	Handle Knob
26	026 2.5FR	Flange Bearing
26A	026A2.5FR	Ball Bearing (Inner)
29	029L1.5FR	Spool Assembly (Complete)
	029L2.5FR	Spool Assembly (Complete)
	029L4FR	Spool Assembly (Complete)
30	030 1.5FR	Stand
	030 2.5FR	Stand
	030 4FR	Stand
30A	030A2.5FR	Stabilizer Bar
31	031 2.5FR	Stand Screw (2 req.)
35A	035A2.5FR	Click Housing
35B	035B2.5FR	Click Pin
35C	107 060	Click Pin Spring
41	041 2.5FR	Drag Coil Spring
	041 2.5FR	Drag Coil Spring
	041 4FR	Drag Coil Spring
55	055 012H	Ball Bearing (Outer)
55A	055A2.5FR	Bearing Washer
63	063 2.5FR	Spring Retainer
71	071 1.5FR	Spindle
	071 2.5FR	Spindle
	071 2.5FR	Spindle
71A	071AN1.5FR	Spindle Stud
	071AN2.5FR	Spindle Stud
	071AN4FR	Spindle Stud
71B	071B2.5FR	Spindle Lock Pin
71C	071C2.5FR	Spindle Screw (3 req.)
89	089 2.5FR	Counter Balance (#1.5)
	089 2.5FR	Counter Balance
	089 4FR	Counter Balance
91	091 4FR	Handle Post
	091 2.5FR	Handle Post
	091 4FR	Handle Post
91A	091A2.5FR	Handle Screw
98	098 1.5FR	Drag Washer/Ratchet
	098 2.5FR	Drag Washer/Ratchet
	098 4FR	Drag Washer/Ratchet
183	183N1.5FR	Frame
	183N2.5FR	Frame
	183N4FR	Frame

NOTE: To order parts for a Gold International Fly Reel, be sure to order parts with "G" suffix.
 To order parts for a Black International Fly Reel, omit "G" suffix from part number.
 Schematic view shows parts oriented for right hand drive.