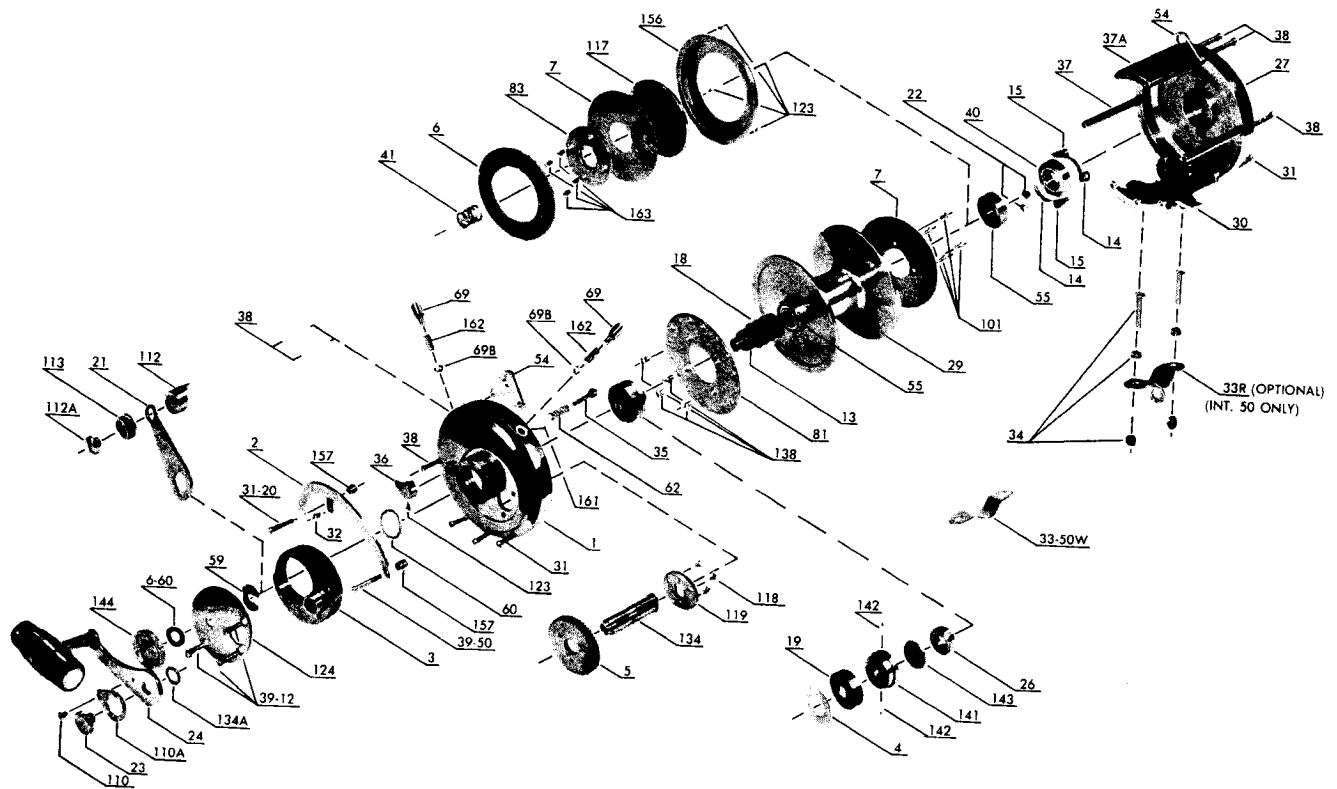


# PARTS AND PRICE LIST FOR INTERNATIONAL 50 and 50W



KEY NO.	DESCRIPTION	PART NO.	PRICE	KEY NO.	DESCRIPTION	PART NO.	PRICE
1	RIGHT SIDE PLATE ASSEMBLY	1-50	40.00	38	POST SCREW	38-50	.20
2	QUADRANT RING	1-50W	40.00	39	BRIDGE SCREW	39-12	.20
3	BRIDGE ASSEMBLY	2-50	3.25	39-50	SPECIAL POST SCREW	39-50	.45
4	CAM THRUST WASHER	3-50	5.95	40	LEFT SIDE BEARING	55-80	7.50
5	MAIN GEAR	4-50	.40	41	LEFT SIDE BEARING SPRING	41-50	.30
		5-50	4.30	54	HARNES LUG	54-50	.50
		5-50W	4.50	55	SPOOL BEARING	55-50	7.50
6	DRAG WASHER	6-50	3.25	59	SLOTTED WASHER	59-50	.30
6-60	LEATHER SPACER WASHER	6-60	.15	60	BACKING WASHER	60-50	.30
7	METAL DRAG WASHER	7-50	2.60	62	CLICK SPRING	62-50	.30
13	PINION GEAR	13-50	13.00	69	LOCATING PIN	69-50	.65
		13-50W	14.00	69B	RETAINING PIN	69B-50	.30
14	FLAT DOG SPRING	14-50	.25	81	RATCHET	81-50	2.35
15	DOG	15-50	.30	83	COLLAR PLATE	83-50	2.00
18	DISC CLUTCH SPRING	18-50	.30	95	CLICK TONGUE BUSHING (not shown)	95-50	1.00
		18-50W	.30	95A	CLICK BUSHING SPRING (not shown)	18-20	.25
19	ECCENTRIC CAM	19-50	3.50	95B	CLICK BUSHING NUT (not shown)	38-710	.25
		19-50W	3.75	101	DRIVE PLATE SCREW	101-30	.20
21	ECCENTRIC CAM LEVER	21-50	2.65	110	HANDLE LOCK SCREW	110-50	.20
22	DOG SPRING SCREW	22-109	.25	110A	HANDLE LOCKING PLATE	110A-50	.55
23	HANDLE SCREW	23-114	1.20	112	ECCENTRIC LEVER KNOB	112-50	1.05
24	HANDLE COMPLETE	24-50	6.50	112A	ECCENTRIC KNOB SCREW	112A-50	.35
		24-50W	7.00	113	ECCENTRIC LEVER CAP	113-50	.35
26	RIGHT SIDE BEARING	55-50	7.50	117	DRIVE PLATE	117-50	9.25
27	LEFT SIDE PLATE ASSEMBLY	27-50	32.00	118	MAIN GEAR PLATE SCREW	38-7	.20
		27-50W	32.00	119	MAIN GEAR PLATE	119-50	.50
29	SPOOL	29L-50	40.00	123	CLICK BUTTON SCREW	123-50	.15
		29L-50W	50.00	124	BRIDGE COVER	124-50	2.35
30	STAND	30-50	5.10	124	GEAR STUD	134-50	2.65
		30-50W	6.50	134A	GEAR STUD WASHER	134A-50	.35
31	STAND SCREW	31-50	.20	138	RATCHET SCREW	101-30	.20
31-20	QUADRANT SCREW	31-20	.20	141	CAM FOLLOWER	141-50	2.60
32	CENTER QUADRANT SCREW	32-14	.20	142	CAM FOLLOWER PIN	142-50	.20
33	ROD CLAMP MODEL 50	33-114	1.50	143	ADJUSTING SCREW	143-50	1.05
	MODEL 50W	33-50W	4.00	144	PRE SET KNOB	144-50	3.20
33R	RINGED ROD CLAMP MODEL 50 (only)	33R-114	4.00	149	ROD CLAMP HEX NUT MODEL 50	149-200	.25
34	ROD CLAMP SCREW W/NUTS	34-50	.75		MODEL 50W	211-600	.25
		34-50W	1.50	152A	ROD CLAMP ACORN NUT MODEL 50	152A-50	.30
35	CLICK TONGUE	35-50	.45		MODEL 50W	152A-50W	.40
36	CLICK BUTTON	36-50	1.05	156	DRAG COVER	156-50	2.00
37	FRAME POST	37-50	.70	157	QUADRANT SPACER BUSHING	157-50	.20
		37-50W	.85	161	LOCATING PIN BUSHING	161-50	.50
37A	SPACER BAR	37A-50	6.00	162	LOCATING PIN SPRING	162-50	.20