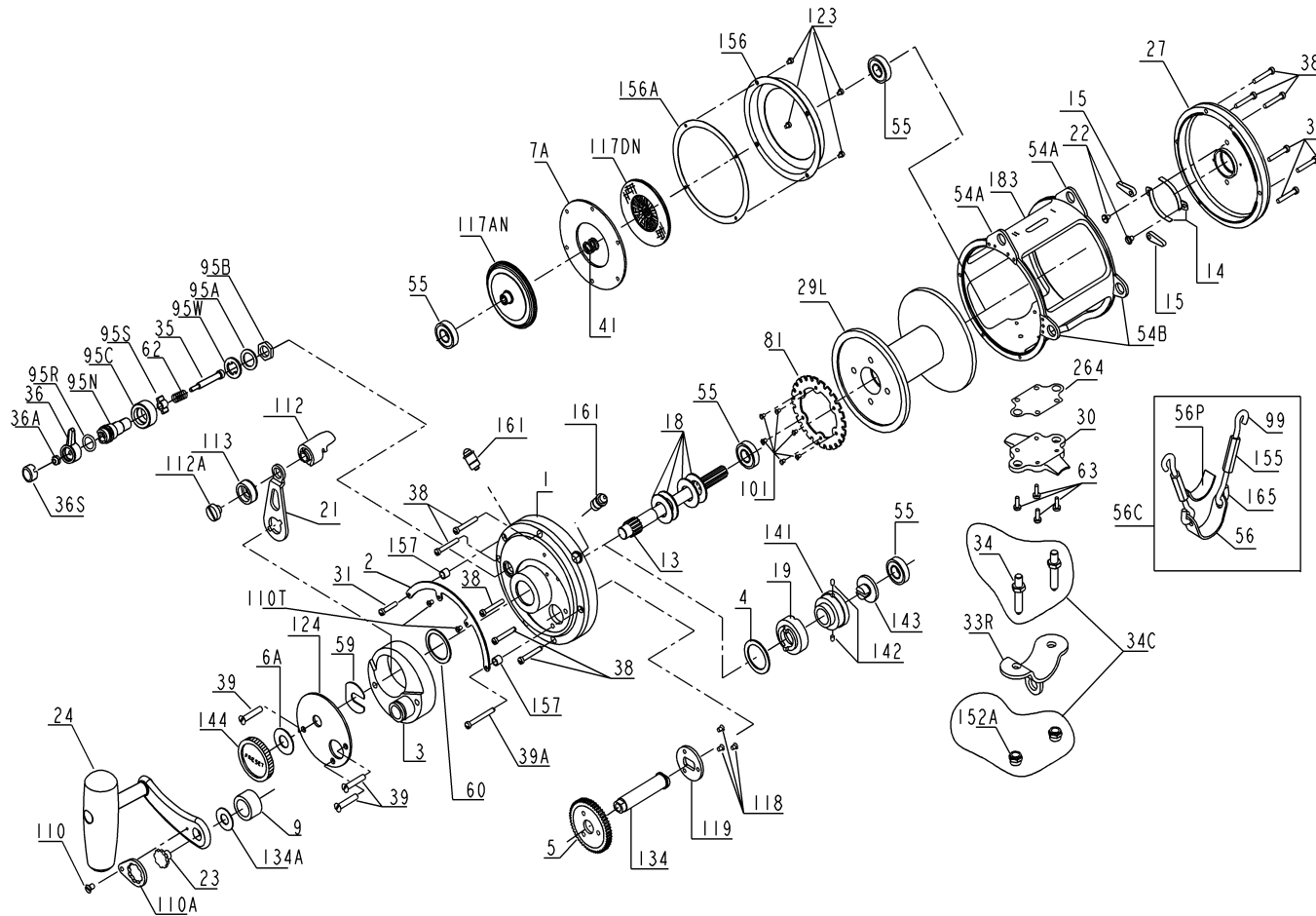


PENN PARTS LIST FOR MODEL 80T AND 80TW



KEY NO.	DESCRIPTION	80T PART NO.	80TW PART NO.
1	R.S. Plate Assembly	001N080T	001N080T
2	Quadrant Ring	002 080	002 080
3	Bridge Assembly	003 080	003 080
4	Cam Thrust Washer	004 080	004 080
5	Main Gear	005 080	005 080
6A	Spacer Washer	006 155	006 155
7A	Metal Drag Washer	007A080	007A080
9	Sleeve Spacer	009 080	009 080
13	Pinion Gear	013 080	013 080W
14	Dog Springs (2 req.)	014 050	014 050
15	Dogs (2 req.)	015 050	015 050
18	Disc Clutch Springs (4 req.)	018 080W	018 080W
19	Eccentric Cam	019H080	019H080
21	Eccentric Cam Lever	021 080	021 080
22	Dog Spring Screws (2 req.)	022 109	022 109

KEY NO.	DESCRIPTION	80T PART NO.	80TW PART NO.
23	Handle Screw	023 080T	023 080T
24	Handle Complete	024B080ST	024B080ST
27	L.S. Plate Assembly	027 080T	027 080T
29L	Spool	029L080S	029L080S
30	Stand	030 080S	030 080S
31	Short Quadrant Screw	031T020	031T020
33R	Rod Clamp	033 130ST	033 130ST
34	Clamp Screw (Only)	034 080T	034 080T
34C	Rod Clamp Screws w/Nuts (2 req.)	034C080T	034C080T
35	Click Tongue	035 080ST	035 080T
36	Click Button	036 080ST	036 080ST
36A	Click Button Nut	036 700	036 700
36S	Click Button Cap	036S080ST	036S080ST
38	Frame Screw (11 req.)	038T050	038T050
39	Bridge Cover Screws (3 req.)	039 012	039 012
39A	Long Quadrant Screw	039 050	039 050
41	L.S. Bearing Spring	041 050	041 050
54A	Top Harness Lugs (2 req.)	054A080S	054A080S
54B	Bottom Harness Lugs (2 req.)	054B080S	054B080S
55	Ball Bearing (4 req.)	055 080	055 080
56	Rod Brace	056 116	056 116
56C	Rod Brace (Complete)	056C080ST	056C080ST
56P	Rod Brace Pad	056P117	056P117
59	Slotted Washer	059 050	059 050
60	Backing Washer	060 050	060 050
62	Click Spring	062 080ST	062 080ST
63	Stand Screws (4 req.)	063 030T	063 030T
*	Cam Housing Screw (2 req.)	063 349	063 349
81	Ratchet	081 080S	081 080S
95A	Click Bushing Washer	095A020	095A020
95B	Click Bushing Nut	038 710	038 710
95C	Click Adjustment Ring	095C080ST	095C080ST
95N	Click Tongue Bushing	095N080ST	095N080ST
95R	Click O-Ring	095R080ST	095R080ST
95S	Click Spring Slider	095S080ST	095S080ST
95W	Eared Spring Washer	095W080ST	095W080ST
*	Gear Sleeve	098 080	098 080
99	Left Hand Hook Screws (2 req.)	099 116	099 116
101	Ratchet Screws (6 req.)	101 030	101 030
110	Handle Lock Screw	110 050	110 050
110A	Handle Locking Plate	110A050	110A050
110T	Center Quadrant Screw (2 req.)	110T050	110T050
112	Eccentric Lever Knob	112 050	112 050
112A	Eccentric Knob Screw	112A050	112A050
113	Eccentric Lever Cap	113 050	113 050
117DN	Drive Plate (Outer)	117DN080T	117DN080T
117AN	Inner Drive (Inner)	117AN080T	117AN080T
118	Coupling Plate Screws (3 req.)	118 080	118 080
119	Coupling Plate	119 080	119 080
123	Drag Cover Screws (4 req.)	123 050	123 050
124	Bridge Cover	124 080	124 080
*	Cam Housing	125 080	125 080
134	Gear Stud	134N080	134N080
134A	Gear Stud Washer	134A080	134A080
141	Cam Follower	141 080	141 080
142	Cam Follower Pins (2 req.)	142 080ST	142 080ST
143	Adjusting Screw	143 080	143 080
144	Preset Knob	144 050	144 050
152A	Rod Clamp Acorn Nuts (2 req.)	152A080T	152A080T
155	Turnbuckles (2 req.)	155 116	155 116
156	Drag Cover	156 080	156 080
156A	Drag Cover Seal	156A080	156A080
157	Quadrant Spacer Bushing (2 req.)	157 050	157 050
161	Locating Pin Assembly (2 req.)	161C070	161C070
165	Right Hand Hook Screws (2 req.)	165 116	165 116
183	Tube Frame	183 080T	183 080TW
264	Stand Gasket	264 080T	264 080T