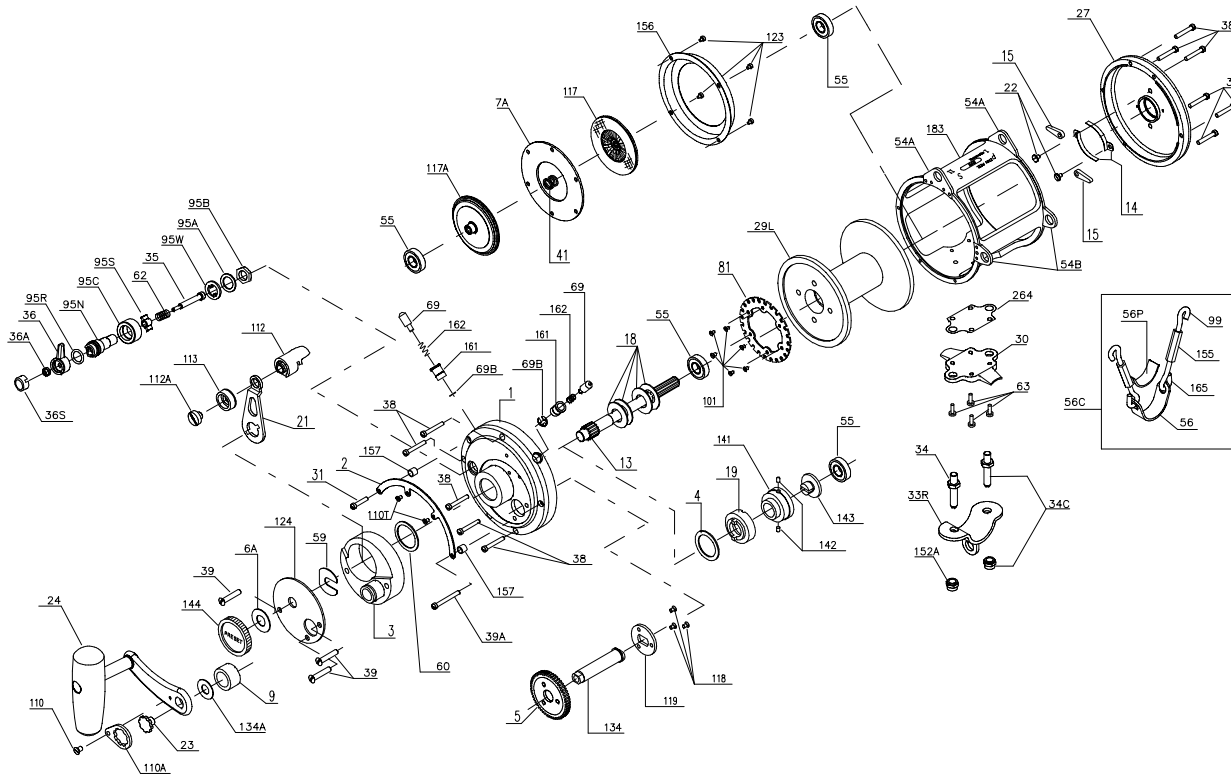




PARTS LIST FOR MODEL 80T AND 80TW



KEY NO.	80T PART NO.	80TW PART NO.	DESCRIPTION
1	001N080T	001N080T	R.S. Plate Assembly
2	002 080	002 080	Quadrant Ring
3	003 080	003 080	Bridge Assembly
4	004 080	004 080	Cam Thrust Washer
5	005 080	005 080	Main Gear
6A	006 155	006 155	Spacer Washer
7A	007A080	007A080	Metal Drag Washer
9	009 080	009 080	Sleeve Spacer
13	013 080	013 080W	Pinion Gear
14	014 050	014 050	Dog Springs (2 req.)
15	015 050	015 050	Dogs (2 req.)
18	018 080W	018 080W	Disc Clutch Springs (4 req.)
19	019H080	019H080	Eccentric Cam
21	021 080	021 080	Eccentric Cam Lever
22	022 109	022 109	Dog Spring Screws (2 req.)
23	023 080T	023 080T	Handle Screw
24	024 080ST	024 080ST	Handle Complete
27	027 080T	027 080T	L.S. Plate Assembly

PARTS LIST FOR MODELS 80T AND 80TW

KEY NO.	80T PART NO.	80TW PART NO.	DESCRIPTION
29L	029L080S	029L080SW	Spool
30	030 080S	030 080S	Stand
31	031T020	031T020	Short Quadrant Screw
33R	033 130ST	033 130ST	Rod Clamp
34	034 080T	034 080T	Clamp Screw (Only)
34C	034C080T	034C080T	Rod Clamp Screws w/Nuts (2 req.)
35	035 080ST	035 080T	Click Tongue
36	036 080ST	036 080ST	Click Button
36A	036 700	036 700	Click Button Nut
36S	036S080ST	036S080ST	Click Button Cap
38	038T050	038T050	Frame Screw (11 req.)
39	039 012	039 012	Bridge Cover Screws (3 req.)
39A	039 050	039 050	Long Quadrant Screw
41	041 050	041 050	L.S. Bearing Spring
54A	054A080S	054A080S	Top Harness Lugs (2 req.)
54B	054B080S	054B080S	Bottom Harness Lugs (2 req.)
55	055 080	055 080	Ball Bearing (4 req.)
56	056 116	056 116	Rod Brace
56C	056C080ST	056C080ST	Rod Brace (Complete)
56P	056P117	056P117	Rod Brace Pad
59	059 050	059 050	Slotted Washer
60	060 050	060 050	Backing Washer
62	062 080ST	062 080ST	Click Spring
63	063 030T	063 030T	Stand Screws (4 req.)
*	063 349	063 349	Cam Housing Screw (2 req.)
69	069 050	069 050	Locating Pins (2 req.)
69B	069B050	069B050	Retaining Rings (2 req.)
81	081 080S	081 080S	Ratchet
95A	095A020	095A020	Click Bushing Washer
95B	038 710	038 710	Click Bushing Nut
95C	095C080ST	095C080ST	Click Adjustment Ring
95N	095N080ST	095N080ST	Click Tongue Bushing
95R	095R080ST	095R080ST	Click O-Ring
95S	095S080ST	095S080ST	Click Spring Slider
95W	095W080ST	095W080ST	Eared Spring Washer
*	098 080	098 080	Gear Sleeve
99	099 116	099 116	Left Hand Hook Screws (2 req.)
101	101 030	101 030	Ratchet Screws (6 req.)
110	110 050	110 050	Handle Lock Screw
110A	110A050	110A050	Handle Locking Plate
110T	110T050	110T050	Center Quadrant Screw (2 req.)
112	112 050	112 050	Eccentric Lever Knob
112A	112A050	112A050	Eccentric Knob Screw
113	113 050	113 050	Eccentric Lever Cap
117	117D080T	117D080T	Drive Plate (Outer)
117A	117A080T	117A080T	Inner Drive (Inner)
118	118 080	118 080	Coupling Plate Screws (3 req.)
119	119 080	119 080	Coupling Plate
123	123 050	123 050	Drag Cover Screws (4 req.)
124	124 080	124 080	Bridge Cover
*	125 080	125 080	Cam Housing
134	134N080	134N080	Gear Stud
134A	134A080	134A080	Gear Stud Washer
141	141 080	141 080	Cam Follower
142	142 080ST	142 080ST	Cam Follower Pins (2 req.)
143	143 080	143 080	Adjusting Screw
144	144 050	144 050	Preset Knob
152A	152A080T	152A080T	Rod Clamp Acorn Nuts (2 req.)
155	155 116	155 116	Turnbuckles (2 req.)
156	156 080	156 080	Drag Cover
157	157 050	157 050	Quadrant Spacer Bushing (2 req.)
161	161 050	161 050	Locating Pin Bushing (2 req.)
162	162 050	162 050	Locating Pin Springs (2 req.)
165	165 116	165 116	Right Hand Hook Screws (2 req.)
183	183 080T	183 080TW	Tube Frame
264	264 080T	264 080T	Stand Gasket