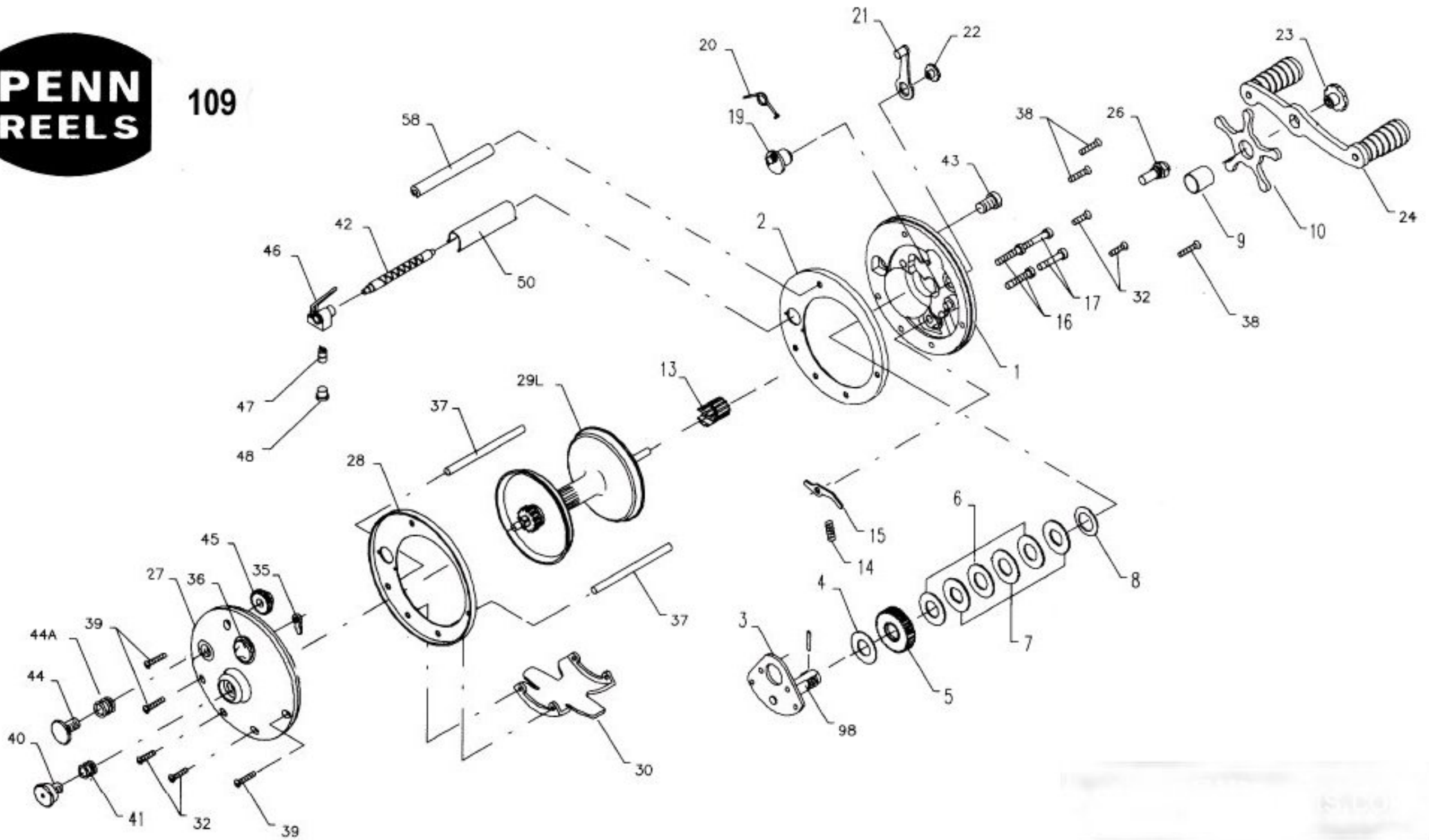




109



Penn Reel Parts list for:

Model: 109 (109M)

KEY PART

NO NO.

DESCRIPTION

1	1-109	RIGHT SIDE PLATE
2	2-109	RIGHT SIDE RING
3	3-109	BRIDGE W/ SLEEVE
4	4-155	FIBER WASHER
5	5-109	MAIN GEAR
6	6-155	DRAG WASHER-HT 100
7	7C-155	WASHER (METAL SET)
8	8-60	TENSION SPRING
9	9-60	SPACING SLEEVE
10	10-180	STAR DRAG
13	13-109	FINION GEAR
14	14-109	DOG SPRING
15	15-109	DOG
16	16-60	LOWER BRIDGE SCREW (2 REQ.)
17	17-60	UPPER BRIDGE SCREW (2 REQ.)
19	19-109	ECCENTRIC
20	20-109	ECCENTRIC SPRING
21	21-109	ECCENTRIC LEVER
22	22-109	ECCENTRIC SCREW
23	23-180	HANDLE SCREW
23A	23-180	HANDLE LOCKING SCREW
24	24-109	HANDLE
26	26-109	RIGHT SIDE BEARING

KEY PART

NO NO.

DESCRIPTION

27	27-109	LEFT SIDE PLATE
28	28-109	LEFT SIDE RING
29L	29L-109	SPOOL (ALUMINUM)
30	30N-9	STAND
32	32-2	STAND SCREW (4 REQ.)
35	35-155	CLICK TOUNGE
36	36-109	CLICK BUTTON
37	37-109	FRAME POST (2 REQ.)
39	39-1	L.S. POST SCREW (6 REQ.)
40	40-109	L.S. BEARING
41	41-109	L.S. BEARING SPRING
42	42-109	WORM
43	43-109	RIGHT SIDE WORM BEARING
44	44N-109	LEFT SIDE WORM BEARING
44A	57-109	WORM BEARING SPRING
45	45-109	WORM GEAR
46	46-109	LINE GUIDE
47	47-109	PAWL
48	48-109	PAWL COVER
50	50-109	WORM SHEILD
58	58-109	SLOTTED POST
98	98-155	GEAR SLEEVE