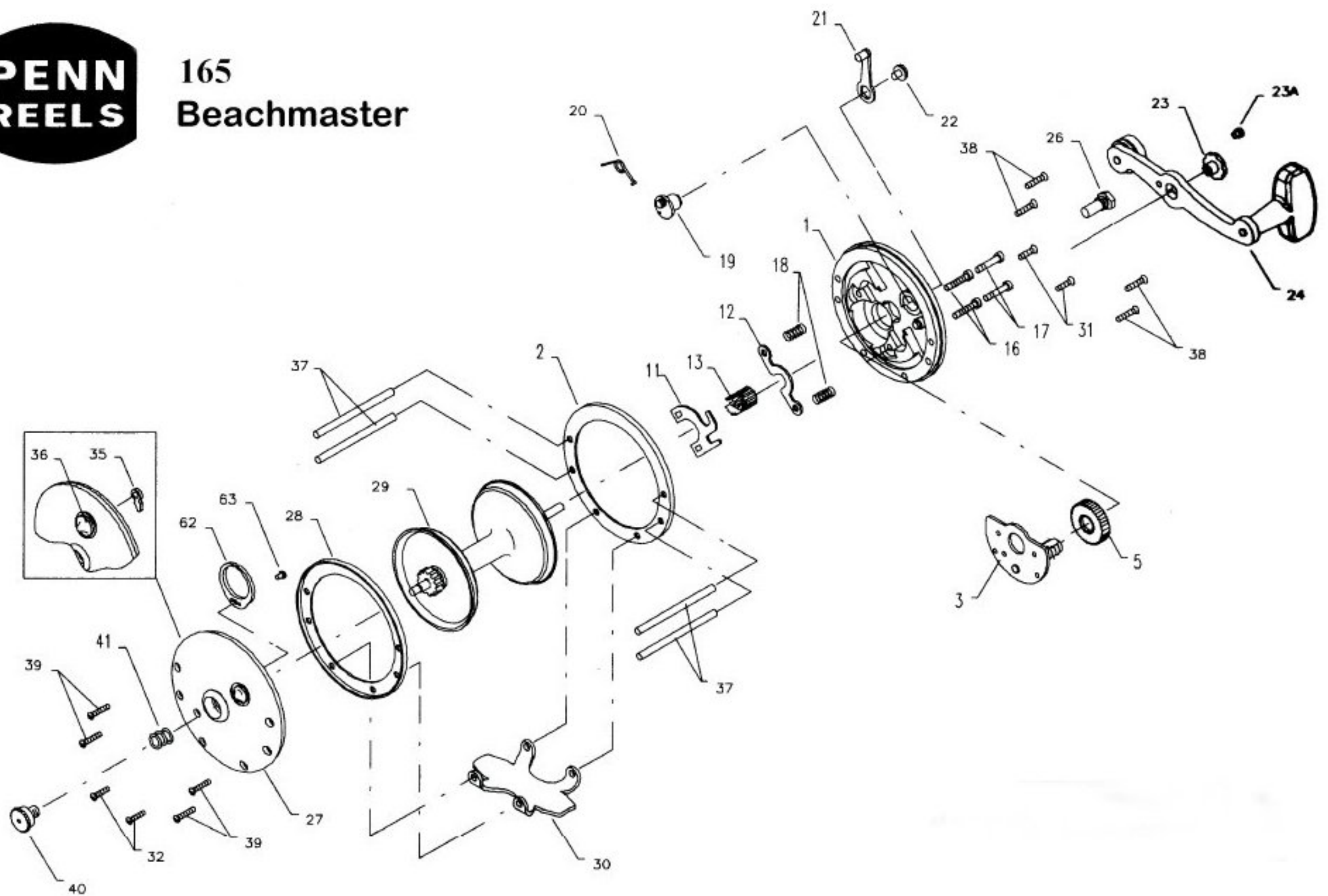




# 165 Beachmaster



## Penn Reel Parts list for:

## Model: 165

## Beachmaster

### KEY PART

NO	NO.	DESCRIPTION
1	1-165	R.S. PLATE
2	2-155	R.S. RING
3	3-165	BRIDGE W/ SLEEVE
5	5-165	MAIN GEAR
11	11-155	ECCENTRIC JACK
12	12-155	PINION YOKE
13	13-155	PINION
16	16-60CH	LOWER BRIDGE SCREW
17	17-60CH	UPPER BRIDGE SCREW
18	18-60	CLUTCH SPRING
19	19-155	ECCENTRIC
20	20-155	ECCENTRIC SPRING
21	21-155	ECCENTRIC LEVER
22	22-60CH	ECCENTRIC SCREW
23	23-60	HANDLE SCREW
23A	110-60	HANDLE LOCK SCREW

### KEY PART

NO	NO.	DESCRIPTION
24	24N-160	HANDLE
26	26-155	R.S. BEARING
27	27-155	L.S. PLATE
28	2-155	L.S. RING
29	29L-150	SPOOL
30	30-65	STAND
31	32-22	R.S. STAND SCREW
32	32-14CH	L.S. STAND SCREW
35	35-155	CLICK TOUNGE
36	36-155CH	CLICK BUTTON
37	37-160	FRAME POST
38	38-8	R.S. POST SCREW
39	32-22	L.S. POST SCREW
40	40-60	L.S. BEARING
41	41-60	SPRING BEARING
62	62-209	CLICK SPRING
63	63-209	CLICK SPRING SCREW