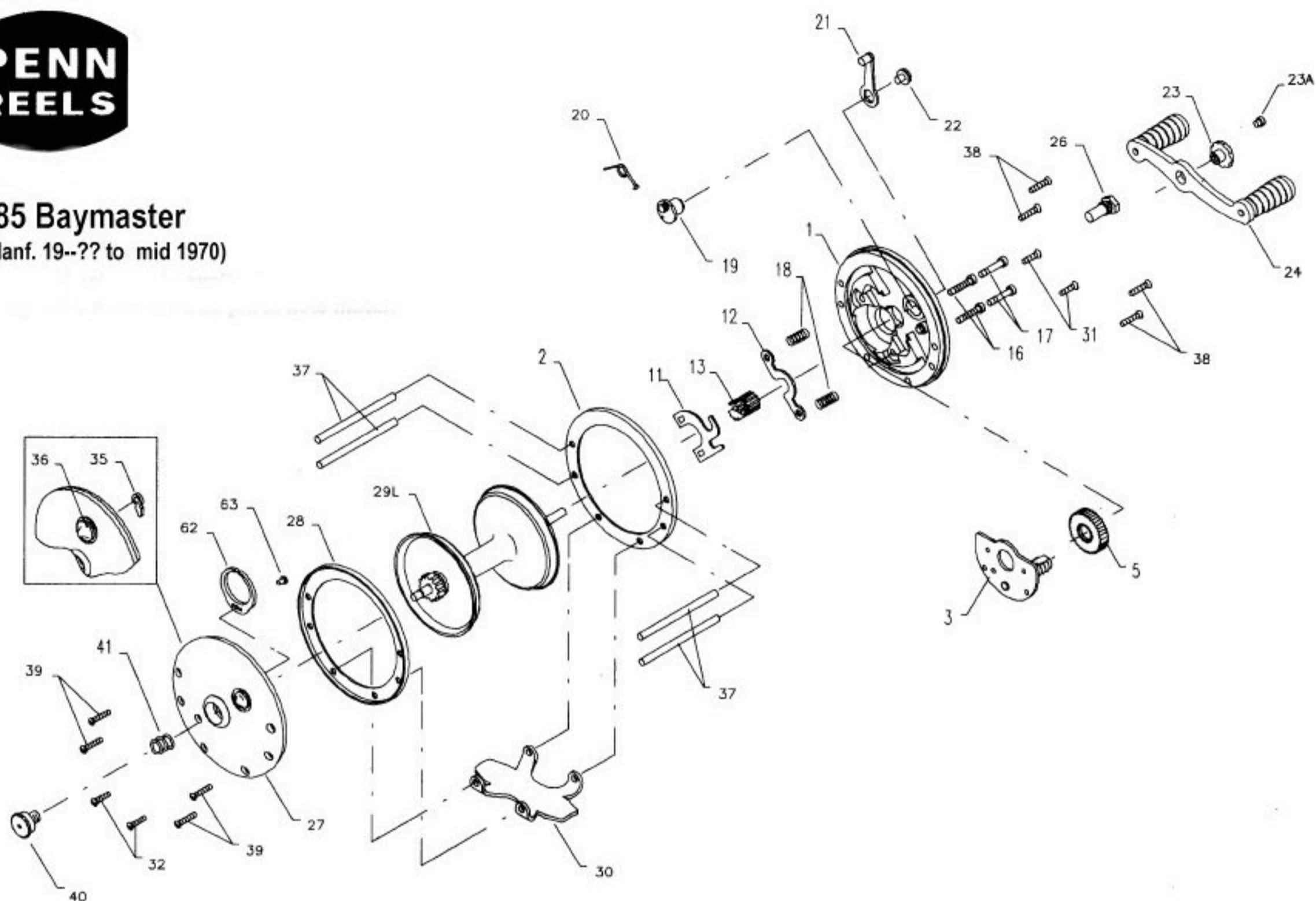




185 Baymaster

(Manf. 19--?? to mid 1970)



Penn Reel Parts list for:

Model: 185 Baymaster (19?? to mid-1970s)

KEY PART

NO	NO.	DESCRIPTION
1	1-185old	RIGHT SIDE PLATE
3	3-165	BRIDGE W/ SLEEVE
5	5-165	MAIN GEAR
11	11-155	ECCENTRIC JACK
12	12-155	PINION YOKE
13	13-155	PINION
16	16-60	LOWER BRIDGE SCREW
17	17-60CH	UPPER BRIDGE SCREW
18	18-60	CLUTCH SPRING
19	19-155	ECCENTRIC
20	20-155	ECCENTRIC SPRING
21	21-155	ECCENTRIC LEVER
22	22-60CH	ECCENTRIC SCREW
23	23-180	HANDLE SCREW
24	24-109	HANDLE

KEY PART

NO	NO.	DESCRIPTION
26	26-155	RIGHT SIDE BEARING
27	27-155	LEFT SIDE PLATE
29	29L-100	SPOOL
30	30-180S	STAND
31	32-18	R.S. STAND SCREW (2 REQ.)
32	32-14CH	L.S. STAND SCREW (2 REQ.)
35	35-155	CLICK TOUNGE
36	36-155CH	CLICK BUTTON
37	37-180	FRAME POST
38	38-8	RIGHT SIDE PLATE SCREW (4 REQ.)
39	32-22	LEFT SIDE POST SCREW (4 REQ.)
40	40-60	LEFT SIDE BEARING
41	41-60	LEFT SIDE BEARING SPRING