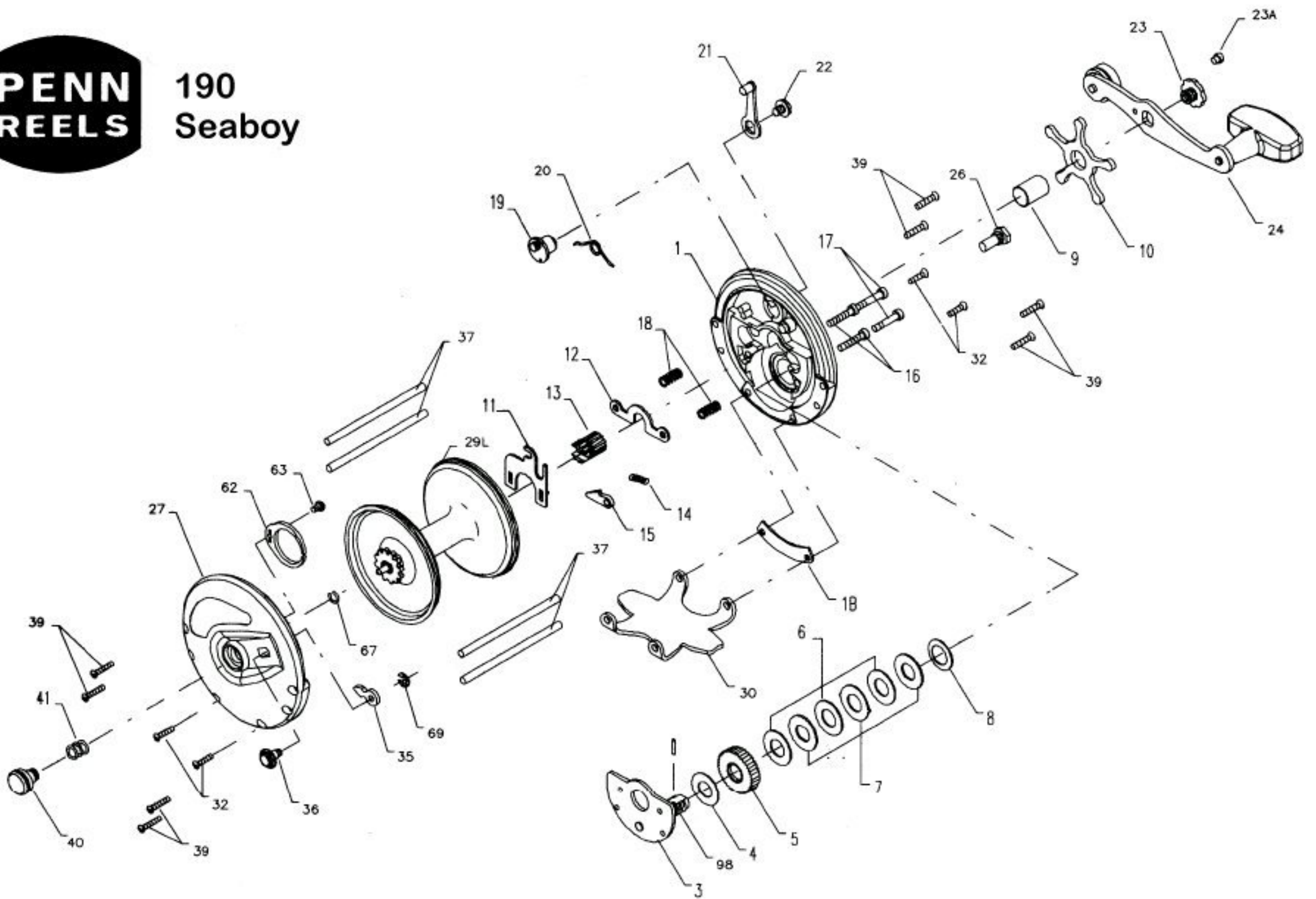


**PENN
REELS**

**190
Seaboy**



Penn Reel Parts list for:

Model: 190

KEY PART

NO	NO.	DESCRIPTION
1	1-185	RIGHT SIDE PLATE
1B	1B-185	GEAR COVER
3	3-185	BRIDGE W/ SLEEVE
4	4-155	FIBER WASHER
5	5-185	MAIN GEAR
6	6-309	DRAG WASHER
7	7C-500	METAL WASHER SET
8	8-60	TENSION SPRING
9	9-60	SPACING SLEEVE
10	10-60	STAR DRAG WHEEL
11	11-185	ECCENTRIC JACK
12	12-60	PINION YOKE
13	13-185	PINION
14	14-99	DOG SPRING
15	15-85	DOG
16	16-60CH	LOWER BRIDGE SCREW
17	17-60CH	UPPER BRIDGE SCREW
18	18-60	CLUTCH SPRING
19	19-330	ECCENTRIC
20	20-155	ECCENTRIC SPRING

KEY PART

NO	NO.	DESCRIPTION
21	21-285	ECCENTRIC LEVER
22	22-60CH	ECCENTRIC SCREW
23	23-60	HANDLE SCREW
23A	110-60	HANDLE LOCK SCREW
24	24-310	HANDLE
26	26-60	RIGHT SIDE BEARING
27	27-190	LEFT SIDE PLATE
29L	29L-190	SPOOL
30	30-65	STAND
32	32-14CH	STAND SCREW (4 REQ.)
35	35-60	CLICK TONGUE
36	36-267	CLICK BUTTON
37	37-65	FRAME POST
39	39-4CH	SIDE PLATE SCREW (8 REQ.)
40	40-185	LEFT SIDE BEARING
41	41-60	LEFT SIDE BEARING SPRING
62	62M-309	CLICK SPRING
63	63-330	CLICK SPRING SCREW
67	67-185	LOCK RING
69	69B-600	RETAINING RING
98	98-60	GEAR SLEEVE