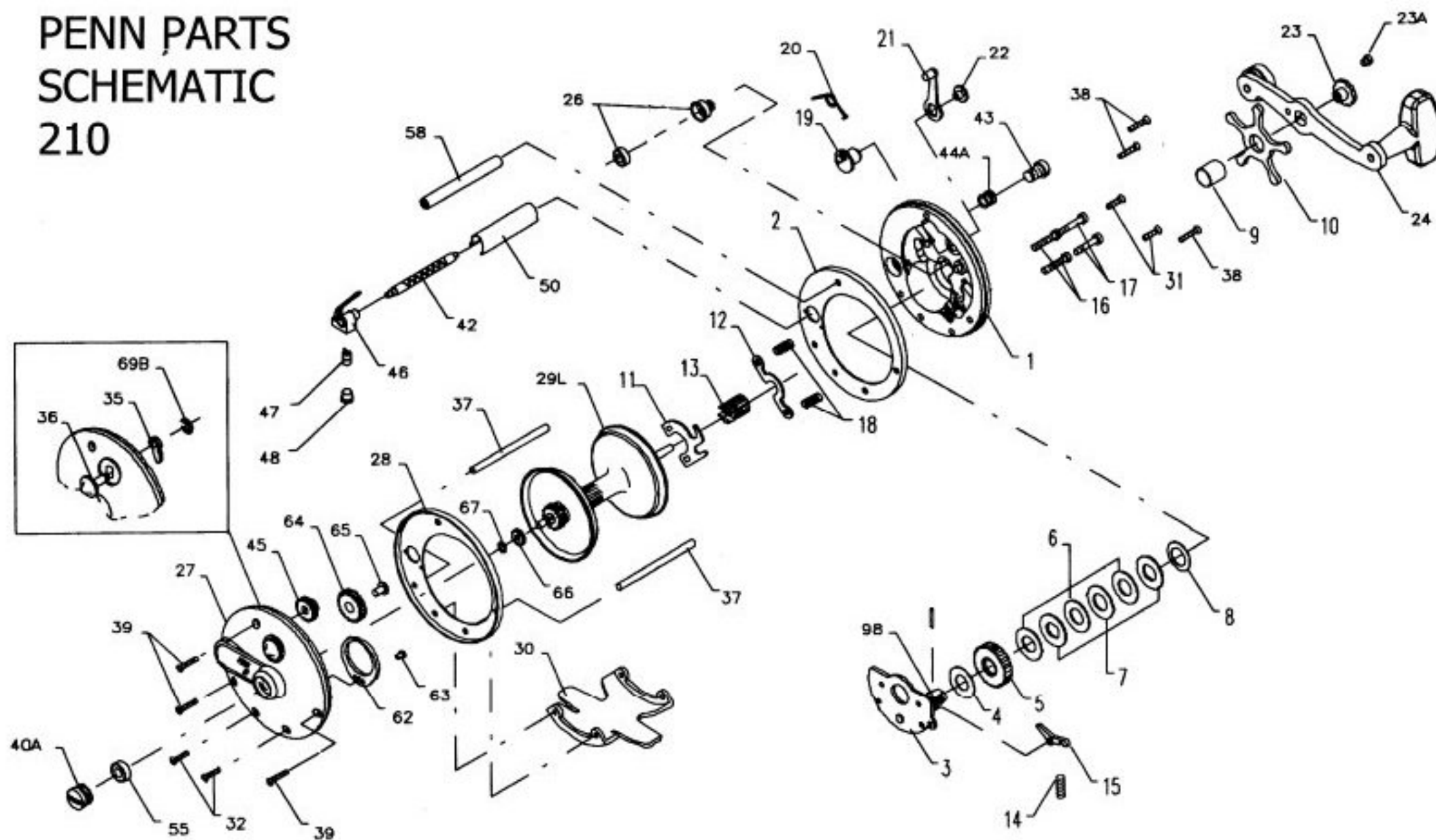


PENN PARTS SCHEMATIC 210



Penn Reel Parts list for:

KEY PART NO NO.	DESCRIPTION
1 1-210	R.S. PLATE
2 2-210	R.S. RING
3 3-210	BRIDGE W/ SLEEVE
4 4-60	FIBER WASHER
5 5-500	MAIN GEAR
6 6-309	DRAG WASHER
7 7C-500	METAL DRAG WASHER (SET)
8 8-60	TENSION SPRING
9 9-60	SPACING SLEEVE
10 10-505	STAR DRAG
11 11-155	ECCENTRIC JACK
12 12-155	PINION YOKE
13 13-140	PINION GEAR
14 14-500	DOG SPRING
15 15-210	DOG
16 16-60CH	LOWER BRIDGE SCREW (2 REQ.)
17 17-60CH	UPPER BRIDGE SCREW (2 REQ.)
18 18-60	CLUTCH SPRING (2 REQ.)
19 19-209	ECCENTRIC
20 20-155	ECCENTRIC SPRING
21 21-285	ECCENTRIC LEVER
22 22-60CH	ECCENTRIC SCREW
23 23-60	HANDLE SCREW
23A 110-60	HANDLE LOCK SCREW
24 24-66	HANDLE
26 26-113H	R.S. BEARING
27 27-210	L.S. PLATE ASSEMBLY
28 28-209	L.S. RING
29L 29L-210	SPOOL (ALUMINUM)
29M 29M-210	SPOOL METAL
30 30-66	STAND
31 31-210	R.S. STAND SCREW (2 REQ.)
32 32-22	L.S. STAND SCREW (2 REQ.)

Model: 210

KEY PART NO NO.	DESCRIPTION
33 33-113	ROD CLAMP
* 33R-200	RINGED ROD CLAMP (OPTIONAL)
34 34-45	ROD CLAMP SCREW
34C 34C-45	ROD CLAMP SCREW W/ NUTS
35 35-155	CLICK TONGUE
36 36N-209	CLICK BUTTON
37 37-160	FRAME POST (2 REQ.)
38 39-6	R.S. POST SCREW
39 38-8	L.S. POST SCREW
40 40-210	L.S. BEARING CAP ONLY
40A 40A-210	L.S. BEARING CAP W/ BEARING
42 42-209	WORM
43 44N-109	R.S. WORM BEARING
44A 57-109	R.S. WORM BEARING SPRING
45 45N-209	WORM GEAR
46 46-209	LINE GUIDE
47 47-109	PAWL
48 48-109	PAWL COVER
50 50-209	WORM SHIELD
55 55-113H	SPOOL BEARING
58 58-209	SLOTTED POST
62 62-209	CLICK SPRING
63 63-209	CLICK SPRING SCREW
64 64-209	IDLER GEAR
65 65-209	IDLER GEAR SCREW
66 66-209	LEVEL WIND DRIVE GEAR
67 67-209	DRIVE GEAR LOCK SPRING
69B 69B-600	CLICK BUTTON RETAINING RING
98 98-505	GEAR SLEEVE
149 149-45	CLAMP NUT
149A 149-200	HEX NUT

* Not Shown