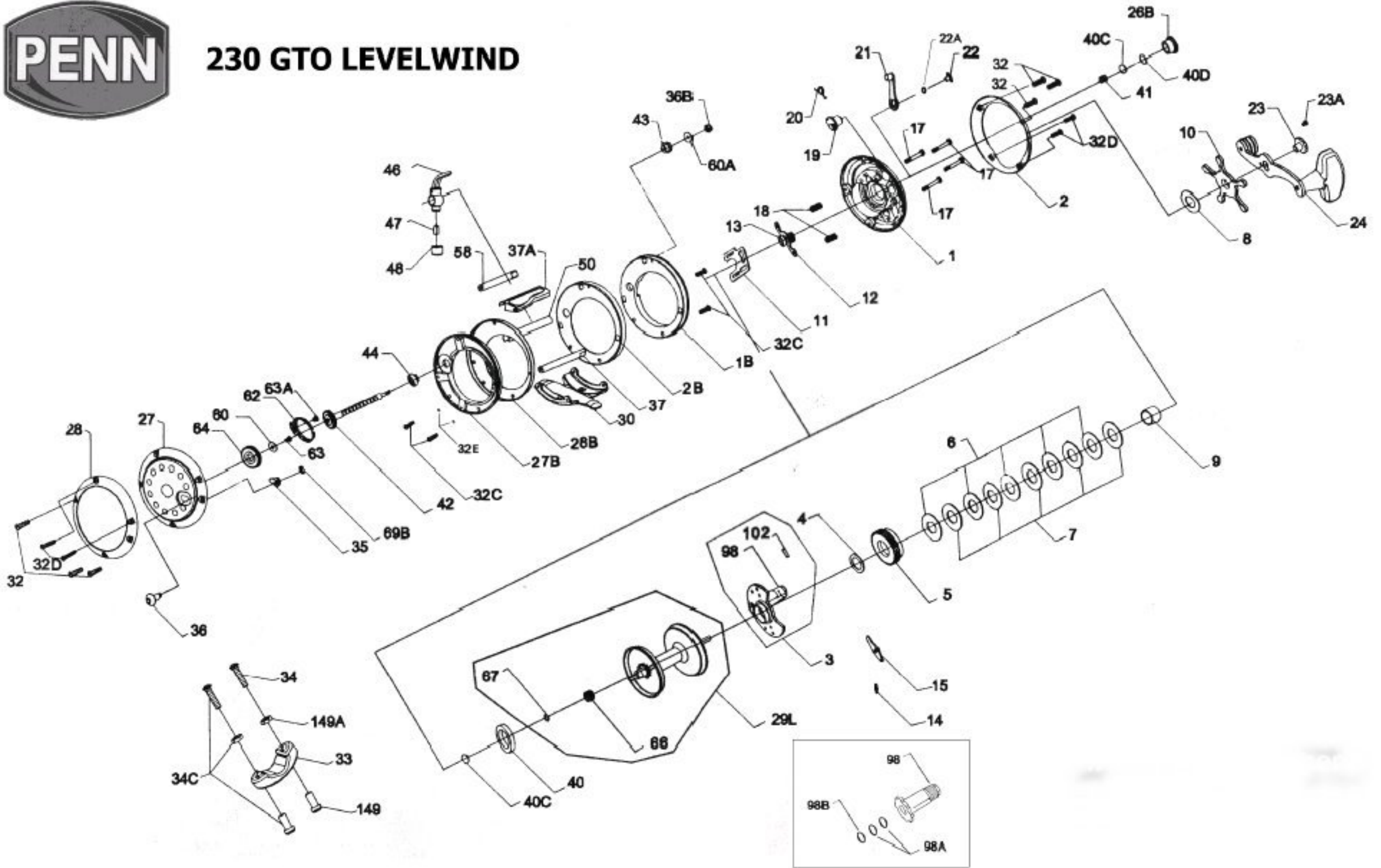




230 GTO LEVELWIND



Penn Reel Parts list for Model: 230GTO LEVELWIND

| KEY NO | PART NO. | DESCRIPTION | KEY NO | PART NO. | DESCRIPTION |
|--------|----------|---|--------|----------|-------------------------------|
| 1 | 1-230 | R S OUTER PLATE | 33 | 33-220 | ROD CLAMP |
| 1B | 1B-230 | R S INNER PLATE | 34 | 34-220 | CLAMP SCREW (2 REQ.) |
| 2 | 2-230 | R S OUTER RING | 34C | 34C-220 | CLAMP SCREW W/NUTS (2 REQ.) |
| 2B | 2B-230 | R S INNER RING | 35 | 35-230 | CLICK TONGUE |
| 3 | 3-230 | BRIDGE ASSEMBLY | 36 | 36-230 | CLICK BUTTON |
| 4 | 4-349 | FIBER WASHER | 36B | 36B-220 | WORM SHAFT NUT |
| 5 | 5-220 | MAIN GEAR | 37 | 37-220 | FRAME POST |
| 6 | 6-320 | FRICTION DRAG WASHER (5 REQ.) | 37A | 37A-230 | TOP SPACER BAR ("230") |
| 7 | 7C-220 | METAL DRAG WASHER SET | 40 | 40-220 | BALL BEARING |
| 8 | 8-220 | TENSION SPRING | 40C | 40C-220 | METAL THRUST WASHER (2 REQ.) |
| 9 | 9-220 | SPACING SLEEVE | 40D | 40D-220 | RUBBER THRUST WASHER |
| 10 | 10-220 | STAR DRAG | 41 | 41-220 | R S THRUST BEARING SPRING |
| 11 | 11-230 | ECCENTRIC JACK | 42 | 42-230 | WORM |
| 12 | 12-230 | PINION YOKE | 43 | 43-230 | R S WORM BUSHING |
| 13 | 13-230 | PINION GEAR | 44 | 44-230 | L S WORM BUSHING |
| 14 | 14-220 | DOG SPRING | 46 | 46-230 | LINE GUIDE CARRIAGE |
| 15 | 15-230 | DOG | 47 | 47-220 | PAWL |
| 17 | 17-220 | BRIDGE SCREW (4 REQ.) | 48 | 48-220 | PAWL COVER SCREW |
| 18 | 18-220 | CLUTCH SPRING (2 REQ.) | 50 | 50-220 | WORM SHIELD |
| 19 | 19-230 | ECCENTRIC CAM | 58 | 58-220 | SLOTTED POST |
| 20 | 20-230 | ECCENTRIC SPRING | 60 | 60-220 | IDLER GEAR WASHER |
| 21 | 21-230 | ECCENTRIC LEVER | 60A | 60A-220 | WORM NUT WASHER |
| 22 | 22-220 | ECCENTRIC SCREW | 62 | 62-220 | CLICK SPRING |
| **22A | 22A-220 | ECCENTRIC SCREW/WASHER | 63 | 63-220 | IDLER GEAR SCREW |
| 23 | 23-220 | HANDLE SCREW | **63A | 63-330 | CLICK SPRING SCREW |
| 23A | 23A-220 | HANDLE LOCK SCREW | 64 | 64-230 | IDLER GEAR |
| 24 | 24-230 | HANDLE | 66 | 66-220 | SPOOL GEAR |
| 26B | 26B-230 | SPOOL TENSION CONTROL CAP | 67 | 67-220 | SPOOL GEAR LOCK RING |
| 27 | 27-230 | L S OUTER PLATE | 69B | 69B-220 | RETAINING RING F/CLICK BUTTON |
| 27B | 27B-230 | L S INNER PLATE | 98 | 98-220 | GEAR SLEEVE |
| 28 | 28-230 | L S OUTER RING | **98A | 98A-220 | GEAR STUD SHIM (2 REQ.) |
| 28B | 28B-230 | L S INNER RING | **98B | 98B-220 | GEAR STUD SHIM (1 REQ.) |
| 29L | 29L-230 | SPOOL, ALUMINUM | 102 | 102-220 | GEAR SLEEVE PIN |
| 30 | 30-230 | STAND | 149 | 149-220 | CLAMP NUT (2 REQ.) |
| 32 | 32-220 | SIDE PLATE SCREW (4 REQ.) | 149A | 149A-220 | HEX NUT (2 REQ.) |
| 32C | 32C-220 | STAND SCREW (4 REQ.) | | | |
| 32D | 32D-220 | LINE GUIDE SHAFT SCREW - SHORT (2 REQ.) | | | |
| **32DA | 32DA-220 | LINE GUIDE SHAFT SCREW - LONG (2 REQ.) | | | |
| **32E | 32E-220 | STAND SCREW/WASHER (4 REQ.) | | | |