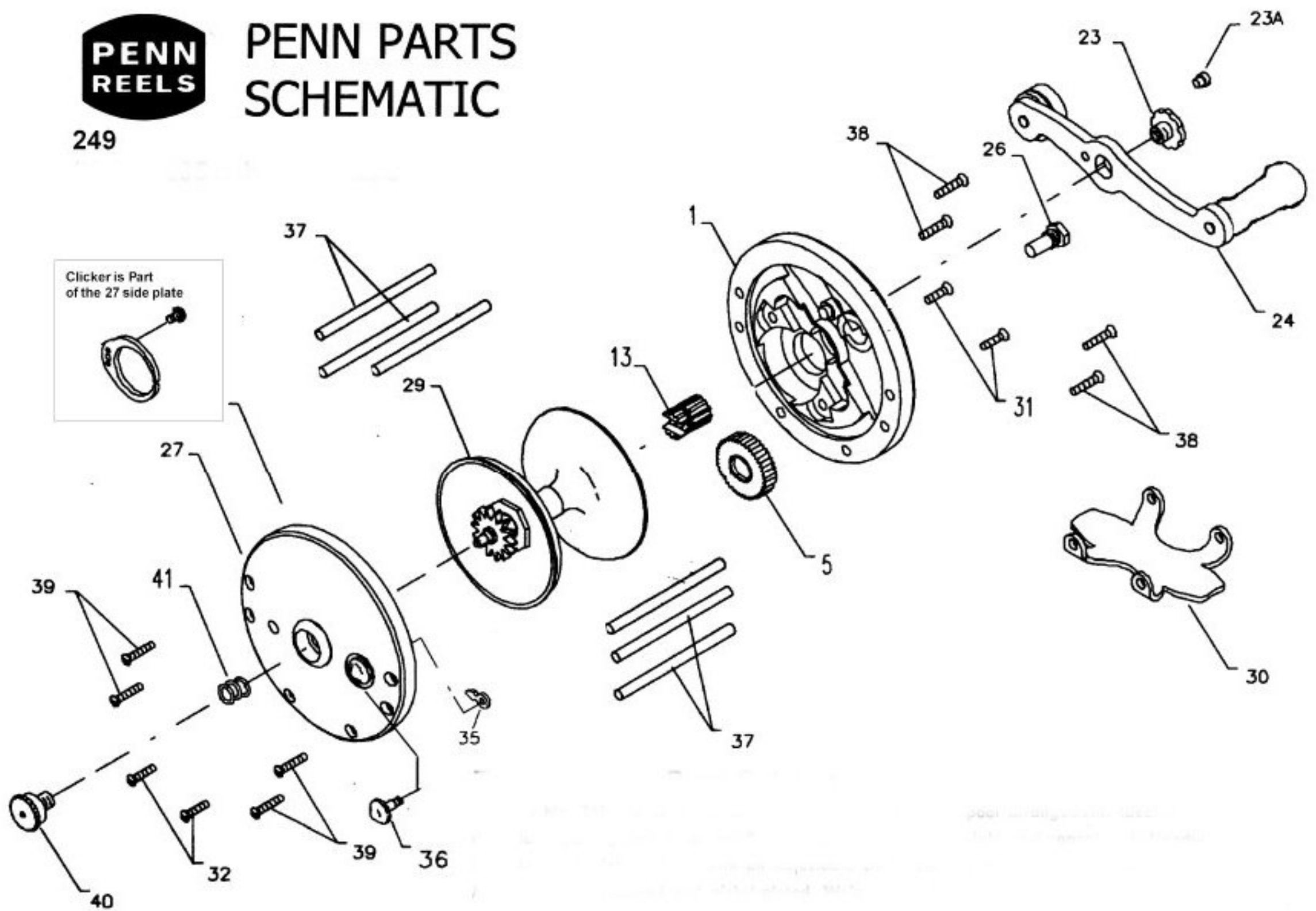




PENN PARTS SCHEMATIC

249



Penn Reel Parts list for:

Model: 249

Mariner

KEY PART

NO	NO.	DESCRIPTION
1	1-249	R.S. PLATE
5	5-249	MAIN GEAR
13	13-249	PINION
23	23-60	HANDLE SCREW
23A	23A-60	HANDLE LOCK SCREW
24	24-249	COMPLETE HANDLE
26	26-249	R.S. BEARING
27	27-249	L.S. PLATE
29	29-249	PLASTIC SPOOL

KEY PART

NO	NO.	DESCRIPTION
30	30-49	STAND
31	38-8	R.S. STAND SCREW (old 31-149)
32	38-8	L.S. STAND SCREW (old 31-149)
35	35-60	CLICK TONGUE
36	36-60CH	CLICK BUTTON
37	37-49	POST FRAME
38	39-5	R.S. POST SCREW (old 38-60)
39	39-5	L.S. POST SCREW (old 38-60)
40	40-60	L.S. BEARING
41	41-60	BEARING SPRING