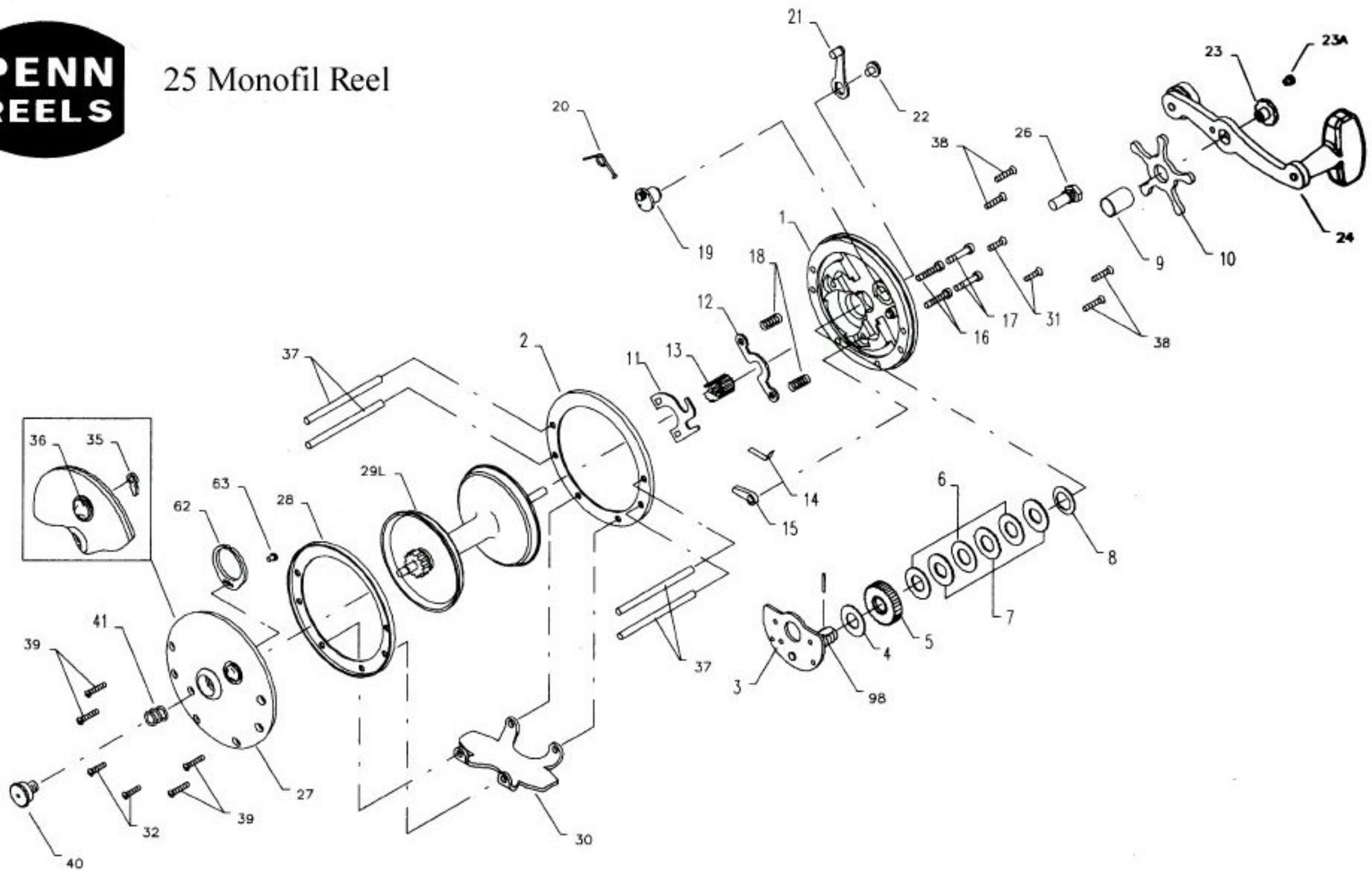




25 Monofil Reel



Penn Reel Parts list for:

KEY NO	PART NO.	DESCRIPTION
1	1-25	R.S. PLATE
2	2-155	R.S. RING
3	3-155	BRIDGE W/ SLEEVE
4	4-155	FIBER WASHER
5	5-155	MAIN GEAR
6	6-155	DRAG WASHER
7	7C-155	METAL WASHER SET
8	8-60	TENSION SPRING
9	9-60490	SPACING SLEEVE
10	10-60	STAR DRAG WHEEL
11	11-155	ECCENTRIC JACK
12	12-155	PINION YOKE
13	13-155	PINION
14	14-155	DOG SPRING
15	15-155	DOG
16	16-60CH	LOWER BRIDGE SCREW
17	17-60CH	UPPER BRIDGE SCREW
18	18-60	CLUTCH SPRING
19	19-155	ECCENTRIC
20	20-155	ECCENTRIC SPRING
21	21-155	ECCENTRIC LEVER

Model: 25

KEY NO	PART NO.	DESCRIPTION
22	22-60CH	ECCENTRIC SCREW
23	23-60	HANDLE SCREW
23A	110-60	HANDLE LOCK SCREW
24	24-155	HANDLE
25	25-155	KNOB, RIVET & OILER
26	26-155	R.S. BEARING
27	27-25	L.S. PLATE
28	2-155	L.S. RING
29	29-25	PLASTIC SPOOL
29M	29M-25	METAL SPOOL
30	30-200	STAND
31	32-22	R.S. STAND SCREW
32	32-14CH	L.S. STAND SCREW
35	35-155	CLICK TONGUE
36	36-155CH	CLICK BUTTON
37	37-155	FRAME POST
38	38-8	R.S. POST SCREW
39	32-22	L.S. POST SCREW
40	40-60	L.S. BEARING
41	41-60	BEARING SPRING
62	62-209	CLICK SPRING
63	63-209	CLICK SPRING SCREW
98	98-155	BRIDGE SLEEVE

Monofil