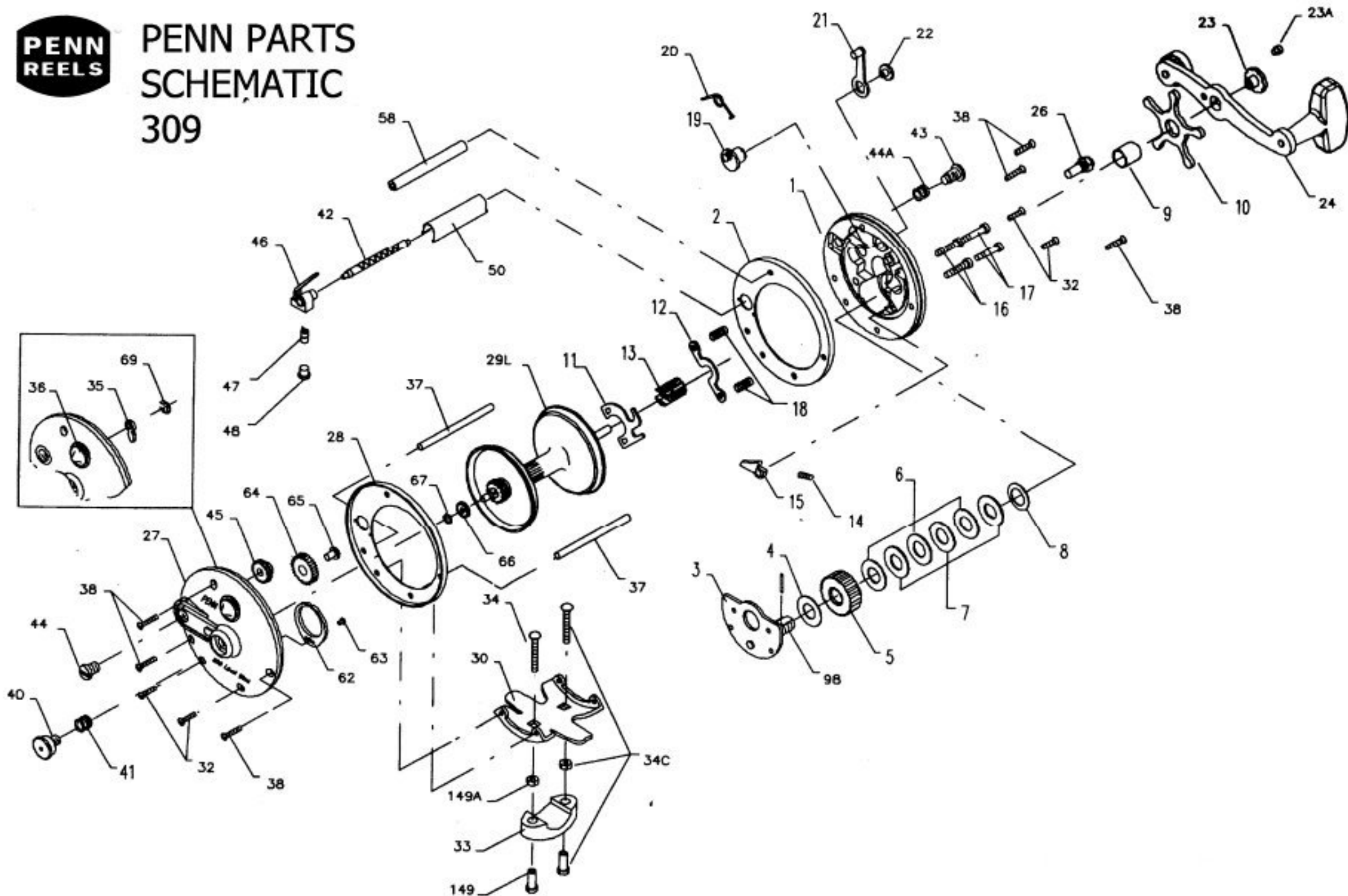




PENN PARTS SCHEMATIC 309



Penn Reel Parts list for:

KEY PART NO NO.	DESCRIPTION
1 1-309	R.S. PLATE
2 2-309	R.S. RING
3 3-309	BRIDGE W/ SLEEVE
4 4-60	FIBER WASHER
5 5-500	MAIN GEAR
6 6-309	DRAG WASHER
7 7C-500	DRAG WASHER (METAL SET)
8 8-60	TENSION WASHER
9 9-60	SPACING SLEEVE
10 10-49	STAR DRAG
11 11-60	ECCENTRIC JACK
12 12-60	PINION YOKE
13 13-85	PININO GEAR
14 14-99	DOG SPRING
15 15-309	DOG
16 16-60CH	LOWER BRIDGE SCREW (2 REQ.)
17 17-60CH	UPPER BRIDGE SCREW (2 REQ.)
18 18-60	CLUTCH SPRING
19 19-309	ECCENTRIC
20 20-60L	ECCENTRIC SPRING
21 21-309	ECCENTRIC LEVER
22 22-60CH	ECCENTRIC SCREW
23 23-60	HANDLE SCREW
23A 110-60	HANDLE LOCK SCREW
24 24-66	HANDLE
26 26-60	R.S. BEARING
27 27-309	L.S. PLATE
28 28-309	L.S. RING
29L 29L-309	SPOOL ALLUMINUM
30 30-66	STAND
32 32-16CH	RIGHT/LEFT SIDE STAND SCREW (2 REQ. PER SIDE)

Model: 309

KEY PART NO NO.	DESCRIPTION
33 033 113	ROD CLAMP
^ 33R-200	RINGED CLAMP (OPTIONAL)
34 34-45	CLAMP SCREW (ONLY)
34C 34C-45	CLAMP SCREW W/ NUTS
35 35-60	CLICK TOUNGE
36 36N-209	CLICK BUTTON
37 37-65	FRAME POST (2 REQ.)
38 38-8	RIGHT/LEFT SIDE POST SCREW (3 REQ. PER SIDE)
40 40-60	L.S. BEARING
41 41-60	L.S. BEARING SPRING
42 42-209	WORM
43 44N-109	R.S. WORM BEARING
44 43-109	L.S. WORM BEARING
44A 57-109	WORM BEARING SPRING
45 45N-309	WORM GEAR
46 46-309	LINE GUIDE
47 47-109	PAWL
48 48-109	PAWL COVER
50 50-209	WORM SHEILD
58 58-209	SLOTTED POST
62 62-309	CLICK SPRING
63 63-209	CLICK SPRING SCREW
64 64-309	IDLER GEAR
65 65-209	IDLER GEAR SCREW
66 66-309	LEVEL WIND DRIVE GEAR
67 67-209	DRIVE GEAR LOCK SPRING
69 69B-600	CLICK BUTTON RETAINING SPRING
98 98-60	GEAR SLEEVE
149 149-45	CLAMP NUT (2 REQ.)
149A 149-200	HEX NUT (2 REQ.)