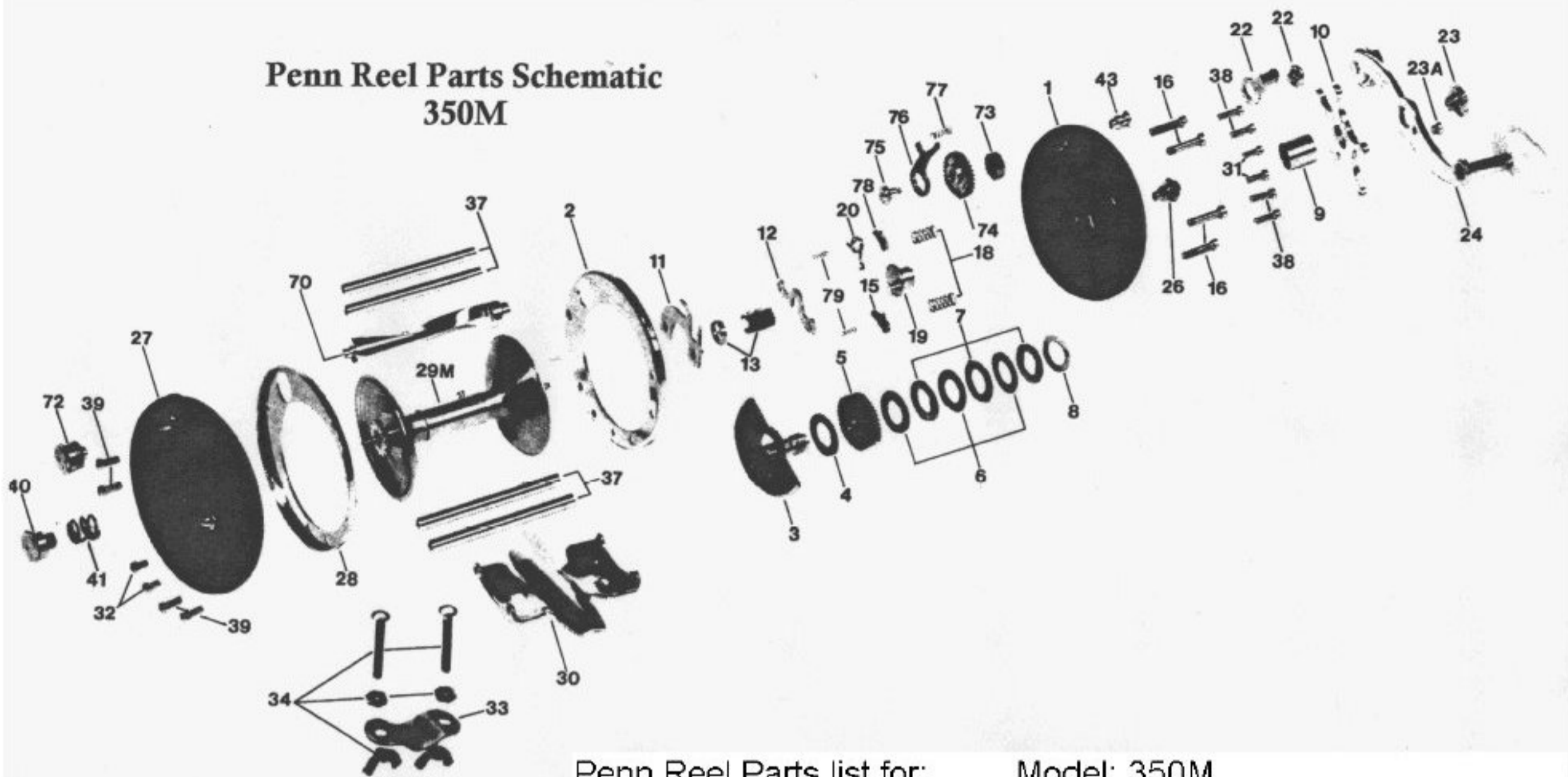


## Penn Reel Parts Schematic 350M



### Penn Reel Parts list for:

### Model: 350M

KEY NO.	PART NO.	DESCRIPTION	KEY NO.	PART NO.	DESCRIPTION
1	1-350	RIGHT SIDE PLATE	26	26-155	RIGHT SIDE BEARING
2	2-350	RIGHT SIDE RING	27	27-350	LEFT SIDE PLATE
3	3-155	BRIDGE W/ SLEEVE	28	28-350	LEFT SIDE RING
4	4-155	FIBER WASHER	29M	29L-200	SPOOL
5	5-155	MAIN GEAR	30	30-200	STAND
6	6-155	DRAG WASHERS (3 REQ.)	33	33-200	ROD CLAMP
7	7c-155	METAL WASHER SET	34	34C-200	ROD CLAMP SCREW w/nuts
8	8-60	TENSION SPRING		34-200	ROD CLAMP SCREW (only)
9	9-60	SPACING SLEEVE	37	37-155	FRAME POST
10	10-60	STAR DRAG WHEEL	38	39-5	RIGHT SIDE POST SCREW
11	11-155	ECCENTRIC JACK	39	39-4	LEFT SIDE POST SCREW
12	12-155	PINION YOKE	40	40-60	LEFT SIDE BEARING
13	13-200	PINION	41	41-60	LEFT SIDE BEARING SPRING
14	14-99	DOG SPRING	70	70-350	SPIRAL BAR
15	15-209	DOG	71	43-109	RIGHT SIDE SPIRAL BEARING
16	16-60	LOWER BRIDGE SCREW	72	72-350	LEFT SIDE SPIRAL BEARING
17	17-60	UPPER BRIDGE SCREW	73	73-350	SPIRAL GEAR
18	18-60	CLUTCH SPRING	74	74-350	CAM GEAR
19	19N-350	ECCENTRIC	75	75-350	CAM GEAR SCREW
20	20-155	ECCENTRIC SPRING	76	76-350	SPIRAL DRIVE DOG
21	21-285	ECCENTRIC LEVER	77	14-109	SPIRAL DRIVE DOG SPRING
22	22-99	ECCENTRIC SCREW	78	78-350	SPIRAL GEAR DOG
23	23-60	HANDLE SCREW	79	14-99	SPIRAL GEAR DOG SPRING
23A	110-60	HANDLE LOCK SCREW			
24	24-155	HANDLE			