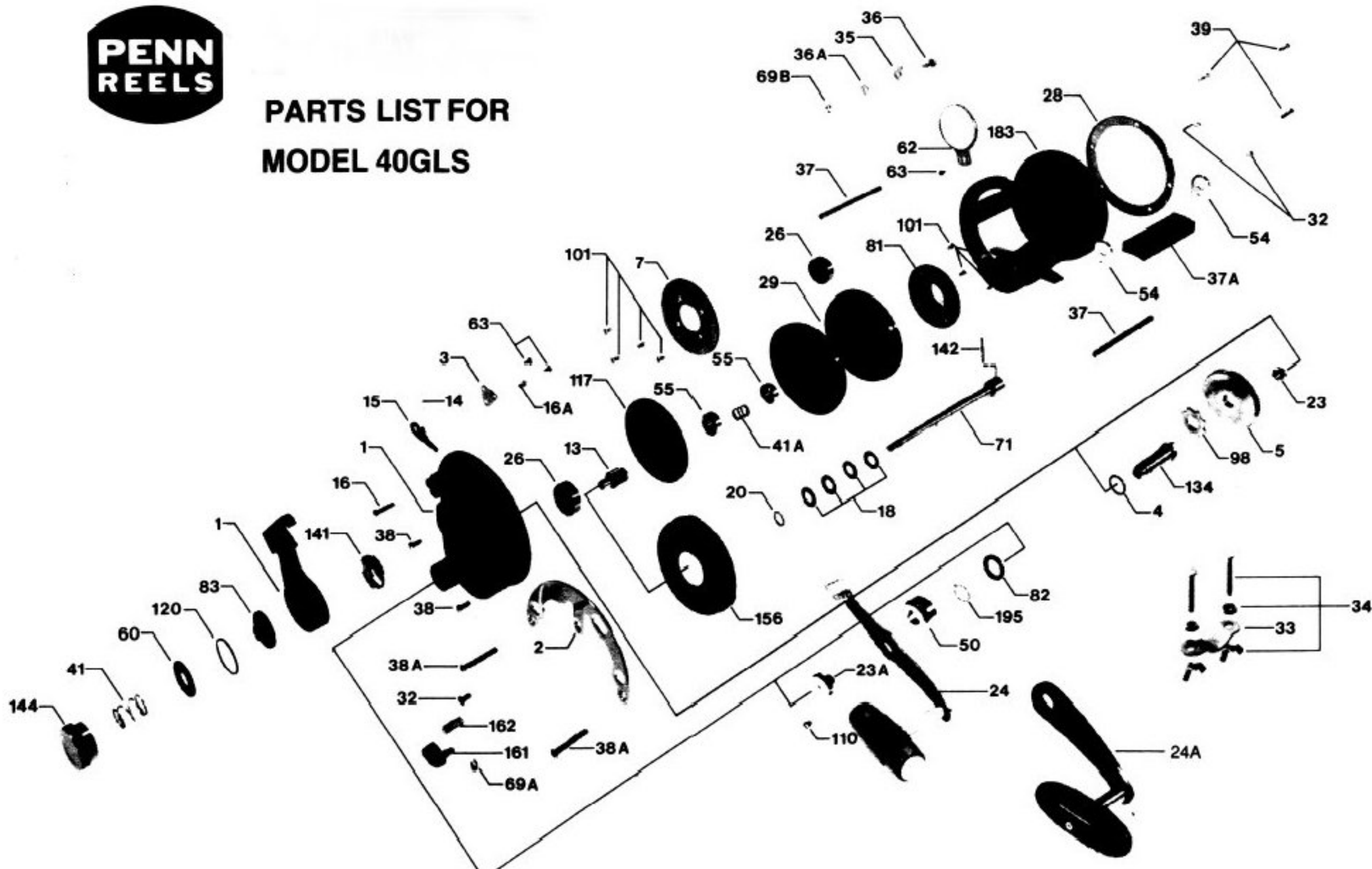




PARTS LIST FOR MODEL 40GLS



Penn Reel Parts list for:

KEY NO	PART NO.	DESCRIPTION	
1	1-40	RIGHT SIDE PLATE	
2	2-40	QUADRANT RING	
3	3-40	BRIDGE RATCHET	
4	4-40	GEAR STUD WASHER	
5	5-40	MAIN GEAR	
7	7-40	METAL DRAG WASHER	
13	13-40	PINION GEAR	
14	14-40	DOG SPRING	
15	15-40	DOG	
16	16-9	TOP R.S. PLATE SCREW	
16A	63-349	BRIDGE SCREW	
18	18-40	CLUTCH SPRING (4 REQ.)	
20	20-40	THRUST WASHER	
21	21-245	CAM LEVER	21-40 (old#)
23	23-6	GEAR MOUNTING SCREW	
23A	23-114	HANDLE SCREW	
24	24-40	COUNTERBALANCED HANDLE	
24A	24-40P	POWER HANDLE	
26	26-40	BALL BEARING (2)	
28	28-40	L.S. RING	
29	29L-40	SPOOL	
32	110-50	R.S. QUADRANT SCREW (1)	
32A	32-17	LEFT SIDE RING SCREW (2)	
33	33-200	ROD CLAMP	
33R	33R-200	RINGED ROD CLAMP	
34	34C-200	ROD CLAMP SCREW W/NUTS	
35	35-40	CLICK TONGUE	
36	36N-209	CLICK BUTTON	
36A	36A-40	CLICK TONGUE WASHER	
37	37-40	FRAME POST (2 REQ.)	
37A	37A-40	TOP SPACER BAR	
38	38-8	LOWER PLATE SCREW (2)	

Model: 40GLS

KEY NO	PART NO.	DESCRIPTION	
38A	38-40	R.S. POST SCREW (2)	
39	39-9	L.S. POST SCREW (3 REQ.)	
41	41-40	PRE-SET KNOB SPRING	
41A	41-109	BEARING SPRING	
50	50-50S	GEAR STUD COVER	
54	54-113	HARNES LUG (2 REQ.)	
55	55-6	R.S. SPOOL BALL BEARING (2)	
60	60-40	LEVER BACKING WASHER	
62	62-40	CLICK SPRING	
63	63-500S	CLICK SPRING MTG. SCREW (1)	
63A	63-500S	BRIDGE MTG. SCREW (2)	
69A	69B-50	STRIKE BUTTON RETAINING RING	
69B	69B-600	CLICK TONGUE RETAINING RING	
71	71-40	SPOOL SPINDLE ASSEMBLY	
81	81-40	CLICK RATCHET	
82	82-40	HANDLE SHIM	
83	83-245	PRE-SET COLLAR	83-40 (old#)
98	98-40	MAIN GEAR RATCHET	
101	101-30	DRIVE PLATE SCREW (4 REQ.)	
101A	101-30	CLICK RATCHET SCREW (4)	
110	110-60	HANDLE LOCK SCREW	
117	117-40	DRIVE PLATE ASSEMBLY	
120	120-245	O'RING (not used with original cam lever#)	
134	134-40	GEAR STUD	
141	141-245	CAM FOLLOWER	141-40 (old#)
142	142-40	SPINDLE FOLLOWER PIN	
144	144-40	PRE-SET KNOB	
156	156-40	DRAG COVER	
161	161-40	STRIKE BUTTON	
162	162-50	STRIKE BUTTON SPRING	
183	183-40	FRAME W/STAND	
195	195-40	GEAR STUD RETAINING RING	