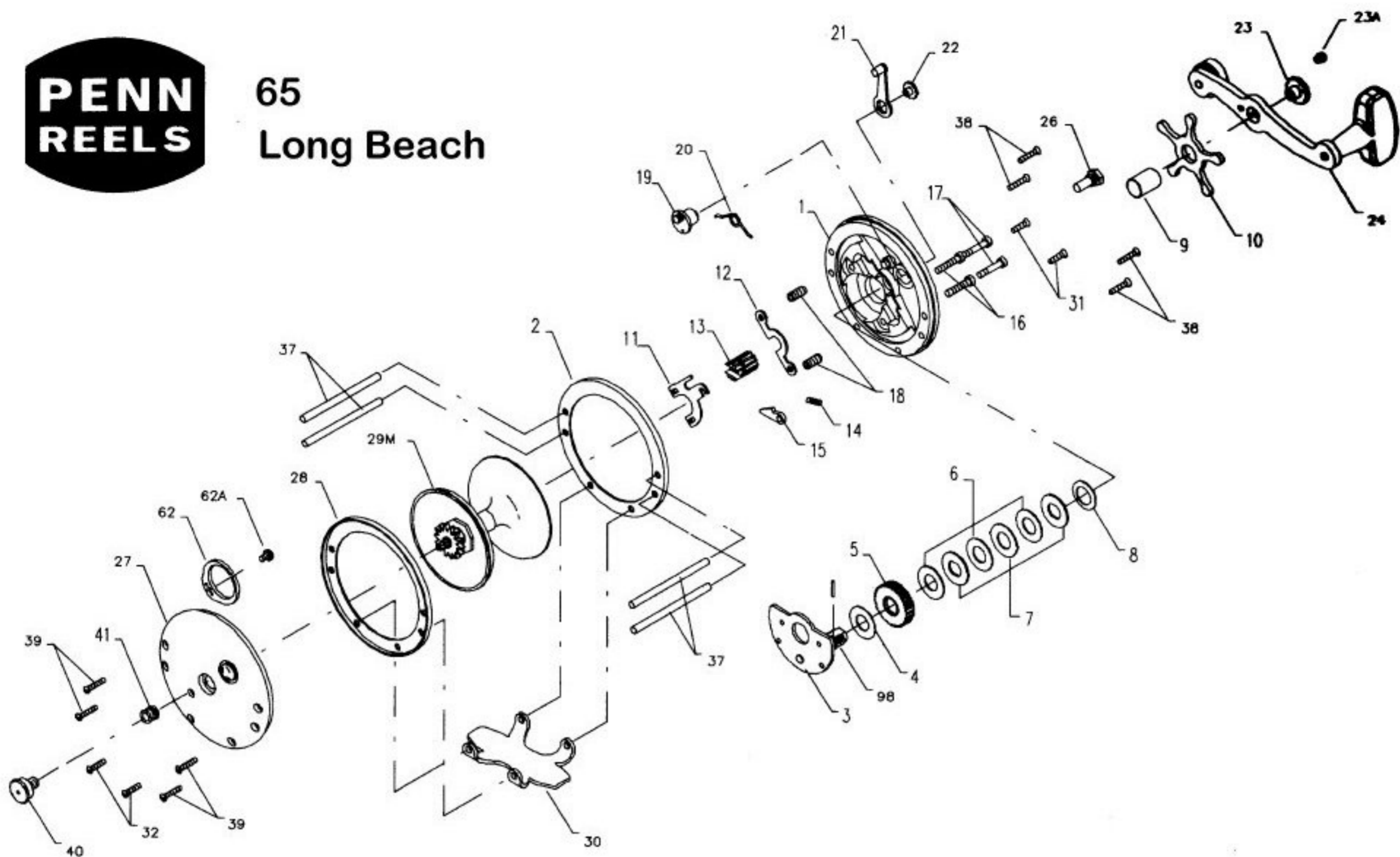




# 65 Long Beach



### Penn Reel Parts list for:

### Model: 65

**KEY PART**

NO	NO.	DESCRIPTION
1	1-60	RIGHT SIDE PLATE
2	2-60	RIGHT SIDE PLATE
3	3-66	BRIDGE W/ SLEEVE
4	4-60	FIBER WASHER
5	5-60	MAIN GEAR
6	6-60	DRAG WASHER (3 REQ.)
7	7C-60	METAL WASHER
8	8-60	TENSION SPRING
9	9-60	SPACING SLEEVE
10	10-60	STAR DRAG WHEEL
11	11-60	ECCENTRIC JACK
12	12-60	PINION YOKE
13	13-85	PINION
14	14-99	DOG SPRING
15	15-99	DOG
16	16-60CH	LOWER BRIDGE SCREW (2 REQ.)
17	17-60CH	UPPER BRIDGE SCRWB (2 REQ.)
18	18-60	CLUTCH SPRING (2 REQ.)
19	19-60	ECCENTRIC
20	20-60L	ECCENTRIC SPRING
21	21-285	ECCENTRIC LEVER

**KEY PART**

NO	NO.	DESCRIPTION
22	22-60CH	ECCENTRIC SCREW
23	23-60	HANDLE SCREW
23A	110-60	HANDLE LOCK SCREW
24	24-66	HANDLE
26	26-60	RIGHT SIDE BEARING
27	27-65	LEFT SIDE PLATE ASSEMBLY
28	28-60	LEFT SIDE RING
29	29M-65	SPOOL
30	30-65	STAND
31	39-4CH	RIGHT/LEFT SIDE STAND SCREW
37	37-65	FRAME POST
38	39-5	RIGHT/LEFT SIDE POST SCREW
40	40-60	LEFT SIDE BEARING
41	41-60	LEFT SIDE BEARING SPRING
62	62-309	CLICK SPRING
62A	63-209	CLICK SPRING SCREW
98	98-60	GEAR SLEEVE