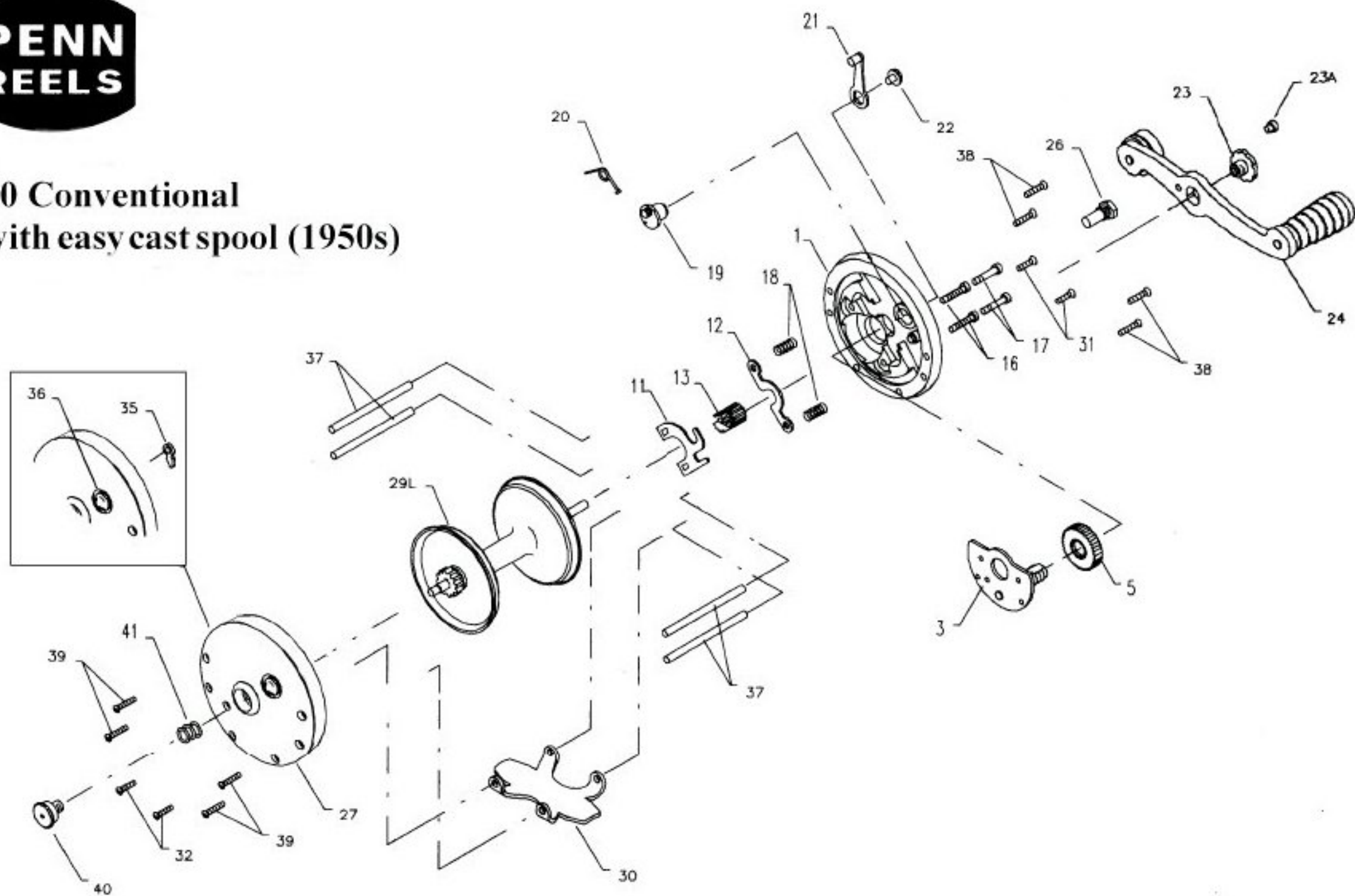




**80 Conventional
with easy cast spool (1950s)**



Penn Reel Parts list for:

Model: 80 Conv. reel w/Easy Cast spool

KEY PART

| NO | NO. | DESCRIPTION |
|----|---------|------------------------|
| 1 | 1-80 | RIGHT SIDE PLATE |
| 3 | 3-80 | BRIDGE W/ SLEEVE |
| 3C | 3C-80 | BRIDGE W/ PINION |
| 5 | 5-80 | MAIN GEAR |
| 11 | 11-60 | ECCENTRIC JACK |
| 12 | 12-60 | PINION YOKE |
| 13 | 13-85 | PINION GEAR |
| 16 | 16-80 | LOWER BRIDGE SCREW |
| 18 | 18-60 | CLUTCH SPRING |
| 19 | 19-60 | ECCENTRIC |
| 20 | 20-60L | ECCENTRIC SPRING |
| 21 | 21-285 | ECCENTRIC LEVER |
| 22 | 22-60CH | ECCENTRIC SCREW |
| 23 | 23-85 | HANDLE SCREW |
| 24 | 24-85 | COMPLETE HANDLE |
| 26 | 26-60 | RIGHT SIDE BEARING |
| 27 | 27-85 | LEFT SIDE PLATE |
| 29 | 29L-85 | SPOOL |
| 30 | 30-85 | STAND |
| 31 | 32-16CH | RIGHT SIDE STAND SCREW |
| 32 | 32-14CH | LEFT SIDE STAND SCREW |
| 35 | 35-60 | CLICK TONGUE |
| 36 | 36-60CH | CLICK BUTTON |
| 37 | 37-60 | FRAME POST |
| 38 | 38-8 | RIGHT SIDE POST SCREW |
| 39 | 38-8 | LEFT SIDE POST SCREW |
| 40 | 40-60 | LEFT SIDE BEARING |
| 41 | 41-60 | BEARING SPRING |

KEY PART

| NO | NO. | DESCRIPTION |
|----|---------|------------------------|
| 24 | 24-85 | COMPLETE HANDLE |
| 26 | 26-60 | RIGHT SIDE BEARING |
| 27 | 27-85 | LEFT SIDE PLATE |
| 29 | 29L-85 | SPOOL |
| 30 | 30-85 | STAND |
| 31 | 32-16CH | RIGHT SIDE STAND SCREW |
| 32 | 32-14CH | LEFT SIDE STAND SCREW |
| 35 | 35-60 | CLICK TONGUE |
| 36 | 36-60CH | CLICK BUTTON |
| 37 | 37-60 | FRAME POST |
| 38 | 38-8 | RIGHT SIDE POST SCREW |
| 39 | 38-8 | LEFT SIDE POST SCREW |
| 40 | 40-60 | LEFT SIDE BEARING |
| 41 | 41-60 | BEARING SPRING |