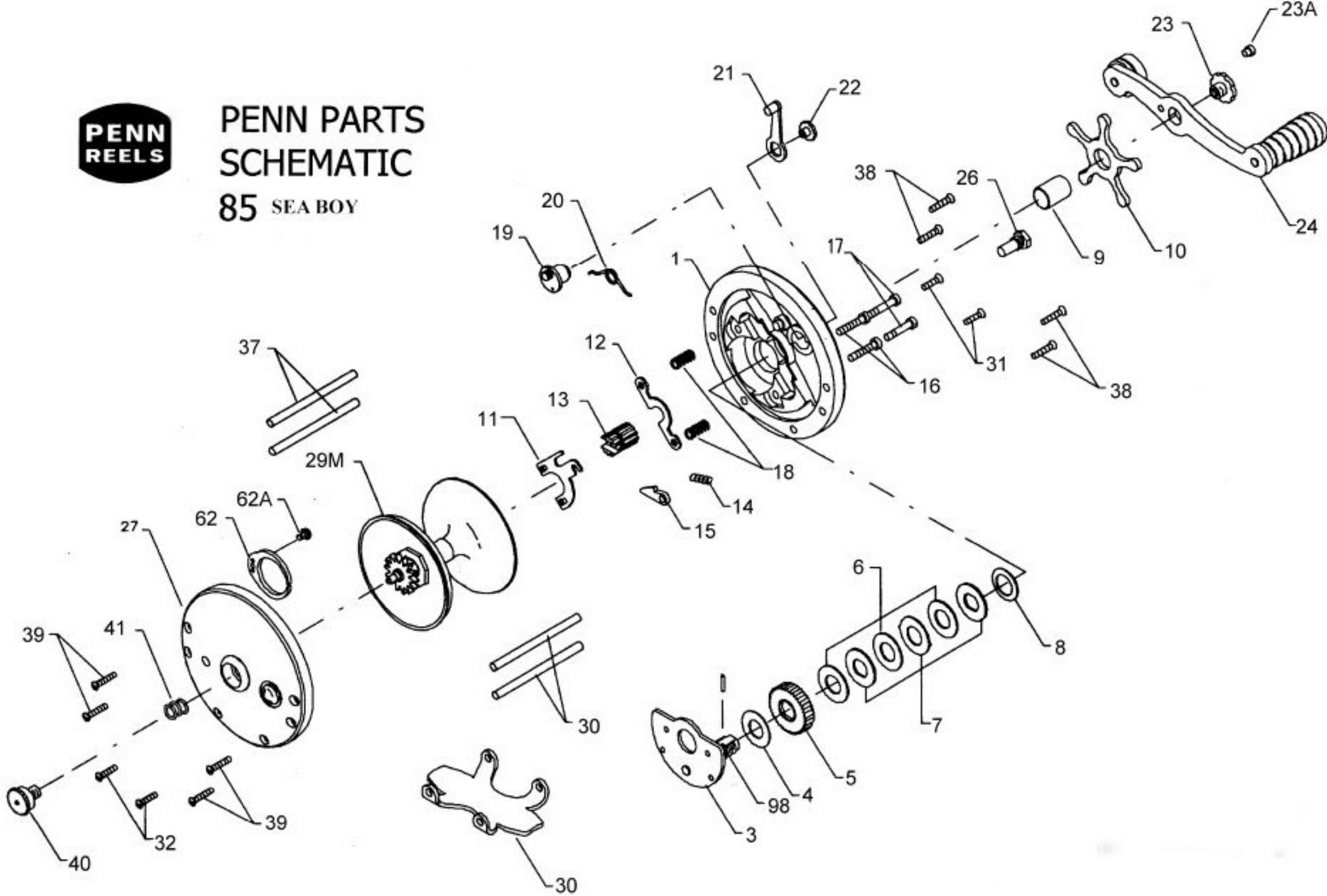




PENN PARTS SCHEMATIC

85 SEA BOY



Penn Reel Parts list for:

KEY PART

NO	NO.	DESCRIPTION
1	1-85	RIGHT SIDE PLATE
3	3-85	BRIDGE W/ SLEEVE
4	4-155	FIBER WASHER
5	5-60	MAIN GEAR
6	6-60	DRAG WASHER
7	7C-60	METAL WASHER SET
8	8-60	TENSION SPRING
9	9-60	SPACING SLEEVE
10	10-60	STAR DRAG WHEEL
11	11-60	ECCENTRIC JACK
12	12-60	PINION YOKE
13	13-85	PINION
14	14-99	DOG SPRING
15	15-85	DOG
16	16-60CH	LOWER BRIDGE SCREW
17	17-60CH	UPPER BRIDGE SCREW
18	18-60	CLUTCH SPRING
19	19-60	ECCENTRIC
20	20-60L	ECCENTRIC SPRING

Model: 85

KEY PART

NO	NO.
21	21-285
22	22-60CH
23	23-85
24	24-85
26	26-60
27	27-85
29	29L-85
29M	29M-60
30	30-60
31	32-16CH
32	32-14CH
35	35-60
36	36-60
37	37-60
38	39-5
39	39-4CH
40	40-60
41	41-60
62	62-309
62A	63-209
**	98-155

Sea Boy

DESCRIPTION

21	21-285	ECCENTRIC LEVER
22	22-60CH	ECCENTRIC SCREW
23	23-85	HANDLE SCREW
24	24-85	COMPLETE HANDLE
26	26-60	R.S. BEARING
27	27-85	LEFT SIDE PLATE
29	29L-85	ALUMINUM SPOOL
29M	29M-60	METAL SPOOL
30	30-60	STAND
31	32-16CH	R.S. STAND SCREW
32	32-14CH	L.S. STAND SCREW
35	35-60	CLICK TONGUE
36	36-60	CLICK BUTTON
37	37-60	FRAME POST
38	39-5	R.S. POST SCREW
39	39-4CH	L.S. POST SCREW
40	40-60	L.S. BEARING (OLD #40-85)
41	41-60	L.S. BEARING SPRING
62	62-309	CLICK SPRING
62A	63-209	CLICK SPRING SCREW
**	98-155	GEAR SLEEVE

** = Not shown on drawing