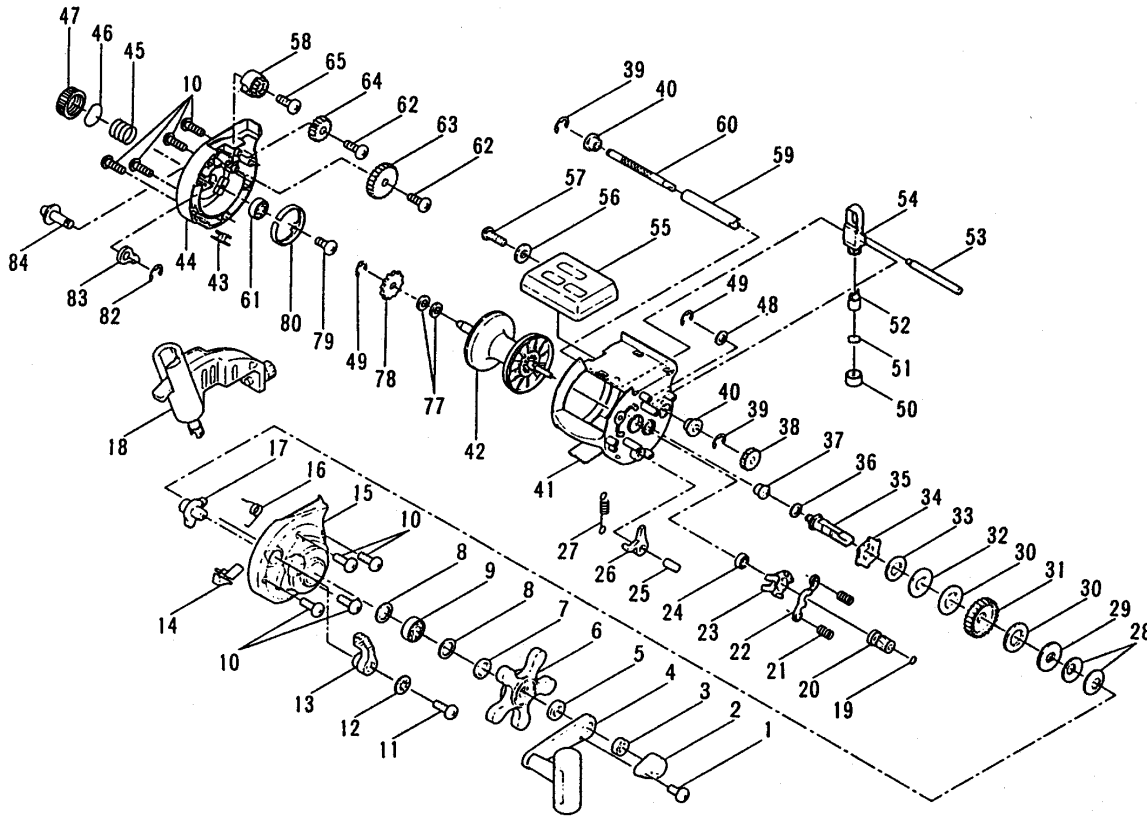




## PARTS LIST FOR MODEL 855LC



KEY NO.	DESCRIPTION	PART NO.	KEY NO.	DESCRIPTION	PART NO.
1	Handle Lock Screw	32-875	37	Gear Stud Bearing	98B-855
2	Handle Nut Cap	110A-875	38	Worm Gear	45-855
3	Handle Nut	23-875	39	Retaining Ring (2)	42A-855
4	Handle Assembly	24-855	40	Worm Bearing (2)	43-855
5	Thrust Washer	8-875	41	Frame Assembly	183-855
6	Drag Star Assembly	10-875	42	Spool Assembly	29-855
7	Drag Star Spacer	9-875	43	Line Storage Clip	96-875
8	Bearing Spacer (2)	20A-855	44	L.S. Plate	27-855
9	R.S. Plate Bearing	20-722	45	L.S. Bearing Spring	41-875
10	Mounting Screw (8)	39-875	46	Thrust Washer	41C-875
11	Eccentric Screw	22-875	47	L.S. Bearing Cap	40A-875
12	Eccentric Washer	22A-875	48	Gear Stud Washer	98C-875
13	Eccentric Lever	21-855	49	Retaining Ring (2)	98D-875
14	Direct Drive Lever	21A-855	50	Pawl Cover Screw	48-875
15	R.S. Plate	1-855	51	Thrust Washer	48A-855
16	Eccentric Spring	20-855	52	Pawl	47-855
17	Eccentric	19-875	53	Line Guide Post	58-855
18	Bogey Wheel Assembly	302-875	54	Line Guide	46-855
19	Thrust Washer	40-855	*55	Control Box Asm. (Feet)	303-855
20	Pinion Gear Assembly	13-855	*55	Control Box Asm. (Metric)	303-855M
21	Clutch Spring (2)	18-875	56	Flat Washer	304-875
22	Pinion Yoke	12-855	57	Control Box Screw	305-875
23	Eccentric Jack	11-855	58	Control Box Gear	306-875
24	Spool Bearing	55-855	59	Worm Shaft Shield	50-855
25	Ratchet Dog Pin	158-875	60	Worm Shaft	42-855
26	Ratchet Dog	15-855	61	Spool Bearing	40-320
27	Dog Spring	14-855	62	Gear Mounting Screw (2)	63B-875
28	Disc Spring (2)	8A-875	63	Idler Gear A	64A-855
29	Metal Drag Washer	86-855	64	Idler Gear B	64B-855
30	Drag Washer HT-100 (2)	6-855	65	Gear Mounting Screw	63-855
31	Main Gear	5-855	77	Spacing Washer (2)	81A-855
32	Metal Drag Washer	86A-855	78	Click Ratchet	81-855
33	Fiber Washer	4-855	79	Mounting Screw	63A-875
34	Ratchet Assembly	98R-855	80	Click Spring	62-875
35	Gear Stud	98S-855	82	Retaining Ring	42B-875
36	Gear Stud Washer	98A-875	83	Click Tongue	35-875
			84	Click Button	36-855

\*Order Control Box in "Feet" or "Metric" according to model.