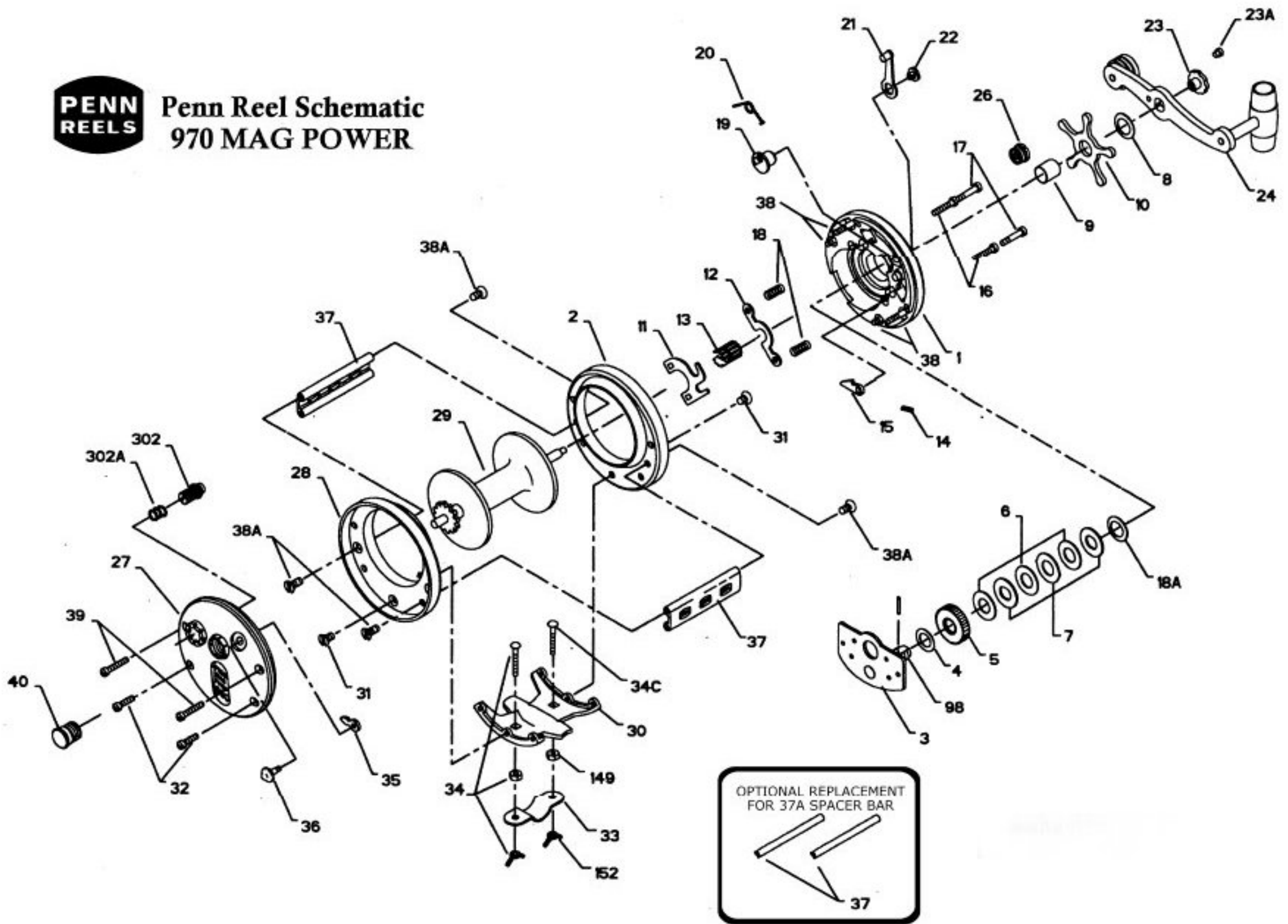




Penn Reel Schematic 970 MAG POWER



Penn Reel Parts list for:

KEY NO	PART NO.	DESCRIPTION
1	1-970	RIGHT SIDE PLATE
2	2-970	RIGHT SIDE RING
3	3-970	BRIDGE W/SLEEVE
4	4-349	FIBER WASHER
5	5-970	MAIN GEAR
6	6-113H	DRAG WASHER (3 REQ.)
7	7C-970	WASHER (METAL SET)
8	8-349	TENSION SPRING
9	9N-970	SPACING SLEEVE
10	10-970	STAR DRAG WHEEL
11	11-200	ECCENTRIC JACK
12	12-155	PINION YOKE
13	13-970	PINION GEAR W/ RING
14	14-99	DOG SPRING
15	15-970	DOG
16	16-60CH	LOWER BRIDGE SCREW
17	17-60CH	UPPER BRIDGE SCREW
18	18-60	CLUTCH SPRING
18A	18-970	CLUTCH SPRING
19	19-200	ECCENTRIC CAM
20	20-155	ECCENTRIC SPRING
21	21-200	ECCENTRIC LEVER
22	22-99	ECCENTRIC SCREW
23	23-114	HANDLE SCREW
24	24-970	HANDLE
26	26-970	R.S. BRIDGE (COMPLETE)
27	27-970	LEFT SIDE PLATE
28	2-970	LEFT SIDE RING
29	29L-970	SPOOL (COMPLETE)

Model: 970

KEY NO	PART NO.	DESCRIPTION
30	30-970	STAND
31	31-19	STAND SCREW (CENTER)
31A	31-970	R.S. STAND SCREW
32	38-6	L.S. STAND SCREW
33	33-200	ROD CLAMP
34	34-49	ROD CLAMP SCREW
35	35-155	CLICK TONGUE
36	36-209	CLICK BUTTON
37	37-60	POST (OPTIONAL) USE 2 FOR 1 SPACER BAR REPLACEMENT
37A	37C-970	SPACER BAR (CONTROL)
	37N-970	SPACER BAR (PENN)
38	38-970	R.S. UPPER SPACER BAR SCREW
38A	38A-970	INNER SPACER BAR SCREW
39	157A-12	OUTER SPACER BAR SCREW
40	40-970	L.S. BEARING (COMPLETE)
40A	40A-970	L.S. BEARING CUP
40B	40B-910	L.S. BEARING PRESSURE PLUG
55	55-113H	R.S. BEARING
55A	55-116	L.S. BEARING
57	57-109	PRESSURE PLUG SPRING
98	98-320	GEAR SLEEVE
103	103-970	R.S. BEARING CUP
110	110-60	HANDLE LOCK SCREW
149	149-200	ROD CLAMP HEX NUT
152	152-200	ROD CLAMP WING NUT
173	173-113H	R.S. BEARING RETAINER
173A	173-140	L.S. BEARING RETAINER
302	302-970	MAGNET HOUSING W/ MAGNET
302A	302A-970	HOUSING SPRING MAGNET