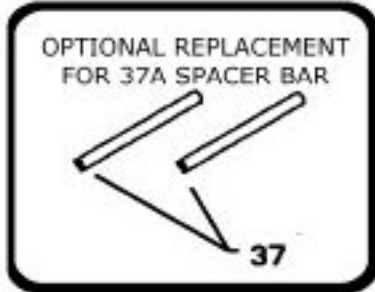
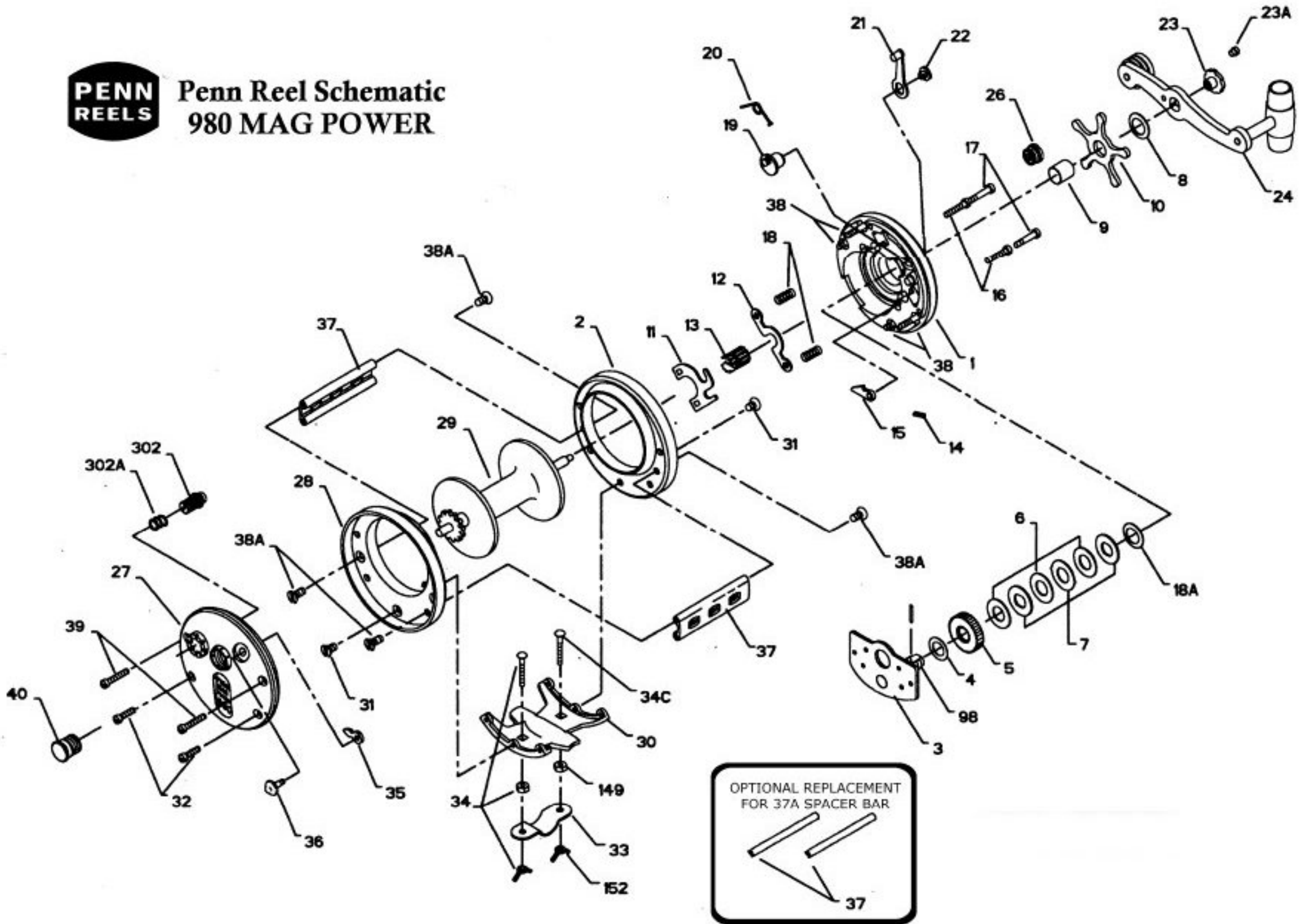




# Penn Reel Schematic 980 MAG POWER



## Penn Reel Parts list for:

## Model: 980

KEY NO	PART NO.	DESCRIPTION	KEY NO	PART NO.	DESCRIPTION
1	1-970	RIGHT SIDE PLATE	30	30N-980	STAND
2	2-970	RIGHT SIDE RING	31	31-19	STAND SCREW (CENTER)
3	3-970	BRIDGE W/SLEEVE	31A	31-970	R.S. STAND SCREW
4	4-349	FIBER WASHER	32	39-6	L.S. STAND SCREW
5	5-970	MAIN GEAR	33	33-990	ROD CLAMP
6	6-113H	DRAG WASHER (3 REQ.)	34	34-200	ROD CLAMP SCREW
7	7C-970	WASHER (METAL SET)	35	35-155	CLICK TONGUE
8	8-349	TENSION SPRING	36	36-209	CLICK BUTTON
9	9N-970	SPACING SLEEVE	37	37-155	POSTS (OPTIONAL - 4 REQ.)
10	10-970	STAR DRAG WHEEL			CAN USE TWO 37'S IN PLACE OF ONE 37A
11	11-200	ECCENTRIC JACK	37A	37A-500	SPACER BAR (CONTROL)
12	12-155	PINION YOKE		37A-500	SPACER BAR (PENN)
13	13-970	PINION GEAR W/ RING	38	38-970	R.S. UPPER SPACER BAR SCREW
14	14-99	DOG SPRING	38A	38A-970	INNER SPACER BAR SCREW
15	15-970	DOG	39	157A-12	OUTER SPACER BAR SCREW
16	16-60	LOWER BRIDGE SCREW	40	40-970	L.S. BEARING (COMPLETE)
17	17-80	UPPER BRIDGE SCREW	40A	40A-970	L.S. BEARING CUP
18	18-80	CLUTCH SPRING	40B	40B-910	L.S. BEARING PRESSURE PLUG
18A	18-970	CLUTCH SPRING	55	55-113H	R.S. BEARING
19	19-200	ECCENTRIC CAM	55A	55-116	L.S. BEARING
20	20-155	ECCENTRIC SPRING	57	57-109	PRESSURE PLUG SPRING
21	21-200	ECCENTRIC LEVER	98	98-320	GEAR SLEEVE
22	22-99	ECCENTRIC SCREW	103	103-970	R.S. BEARING CUP
23	23-114	HANDLE SCREW	110	110-60	HANDLE LOCK SCREW
24	24-970	HANDLE	149	149-200	ROD CLAMP HEX NUT
26	26-970	R.S. BRIDGE (COMPLETE)	152	152-200	ROD CLAMP WING NUT
27	27-980	LEFT SIDE PLATE	157A	157A-12	UPPER SPACER BAR SCREW
28	2-970	LEFT SIDE RING	173	173-113H	R.S. BEARING RETAINER
29	29L-980	SPOOL (COMPLETE)	173A	173-140	L.S. BEARING RETAINER
			302	302-970	MAGNET HOUSING W/ MAGNET
			302A	302A-970	HOUSING SPRING MAGNET