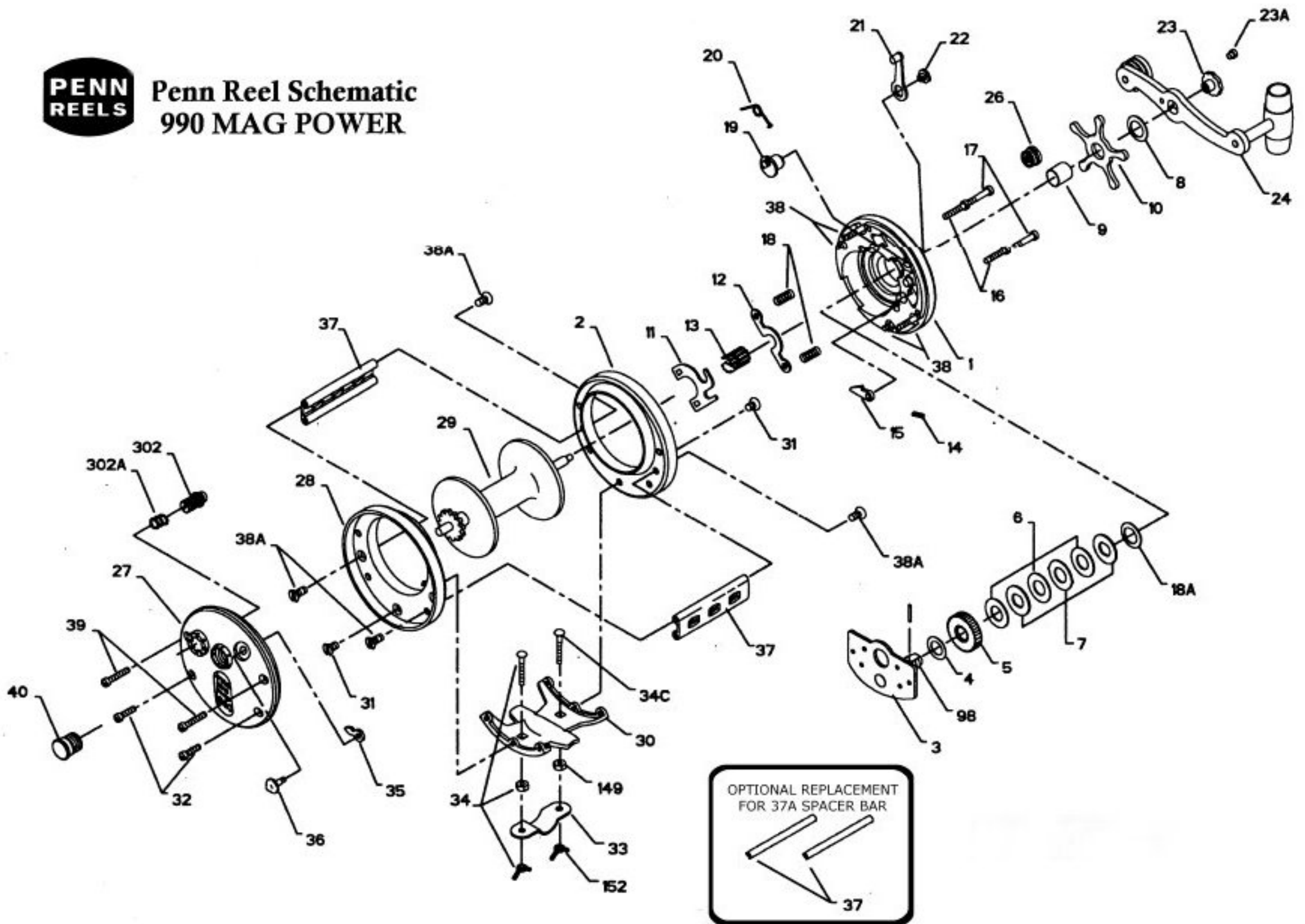




Penn Reel Schematic 990 MAG POWER



Penn Reel Parts list for:

Model: 990

KEY NO	PART NO.	DESCRIPTION	KEY NO	PART NO.	DESCRIPTION
1	1-990	RIGHT SIDE PLATE	30	30-990	STAND
2	2-990	RIGHT SIDE RING	31	31-19	STAND SCREW (CENTER)
3	3-990	BRIDGE W/SLEEVE	31A	31-970	R.S. STAND SCREW
4	4-349	FIBER WASHER	32	39-6	L.S. STAND SCREW
5	5-990	MAIN GEAR	33	33-990	ROD CLAMP
6	6-990	DRAG WASHER (3 REQ.)	34	34-200	ROD CLAMP SCREW
7	7C-990	WASHER (METAL SET)	35	35-155	CLICK TONGUE
8	8-349	TENSION SPRING	36	36-209	CLICK BUTTON
9	9-990	SPACING SLEEVE	37	37-155	POSTS (OPTIONAL - 4 REQ.)
10	10-349	STAR DRAG WHEEL			CAN USE TWO 37'S IN PLACE OF ONE 37A
11	11-200	ECCENTRIC JACK	37A	37A-500	SPACER BAR (CONTROL)
12	12-155	PINION YOKE		37A-500	SPACER BAR (PENN)
13	13-970	PINION GEAR W/ RING	38	38-970	R.S. UPPER SPACER BAR SCREW
14	14-99	DOG SPRING	38A	38A-970	INNER SPACER BAR SCREW
15	15-990	DOG	39	157A-12	OUTER SPACER BAR SCREW
16	16-60CH	LOWER BRIDGE SCREW	40	40-970	L.S. BEARING (COMPLETE)
17	17-60CH	UPPER BRIDGE SCREW	40A	40A-970	L.S. BEARING CUP
18	18-60	CLUTCH SPRING	40B	40B-910	L.S. BEARING PRESSURE PLUG
18A	18-970	CLUTCH SPRING	55	55-113H	R.S. BEARING
19	19-200	ECCENTRIC CAM	55A	55-116	L.S. BEARING
20	20-155	ECCENTRIC SPRING	57	57-109	PRESSURE PLUG SPRING
21	21-200	ECCENTRIC LEVER	98	98-349	GEAR SLEEVE
22	22-99	ECCENTRIC SCREW	103	103-970	R.S. BEARING CUP
23	23-114	HANDLE SCREW	110	110-60	HANDLE LOCK SCREW
24	24-970	HANDLE	149	149-200	ROD CLAMP HEX NUT
26	26-970	R.S. BRIDGE (COMPLETE)	152	152-200	ROD CLAMP WING NUT
27	27-990	LEFT SIDE PLATE	173	173-113H	R.S. BEARING RETAINER
28	2-990	LEFT SIDE RING	173A	173-140	L.S. BEARING RETAINER
29	29L-990	SPOOL (COMPLETE)	302	302-970	MAGNET HOUSING W/ MAGNET
			302A	302A-970	HOUSING SPRING MAGNET