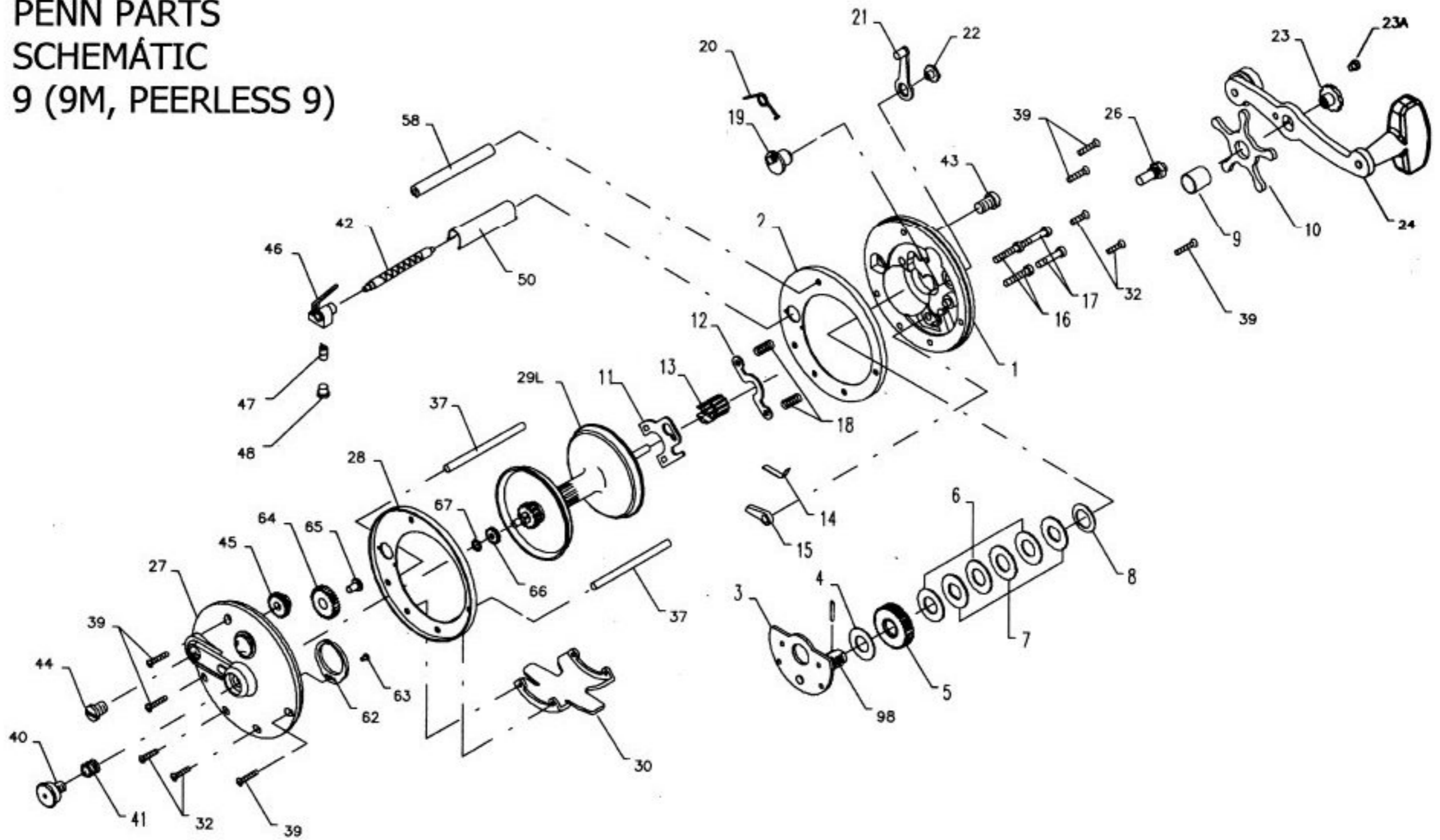


**PENN PARTS  
SCHEMATIC  
9 (9M, PEERLESS 9)**



**Penn Reel Parts list for:**

**Model: 9 (9M) Peerless**

**KEY PART**

NO NO.	DESCRIPTION
1 1-9	RIGHT SIDE PLATE
2 2-109	RIGHT SIDE RING
3 3-9	BRIDGE W/ SLEEVE
4 4-155	FIBER WASHER
5 5-109	MAIN GEAR
6 6-155	DRAG WASHER-HT 100
7 7C-155	WASHER (METAL SET)
8 8-60	TENSION SPRING
9 9-60	SPACING SLEEVE
10 10-180	STAR DRAG
11 11-9	ECCENTRIC JACK
12 12-9	PINION YOKE
13 13-9	PINION GEAR
14 14-9	DOG SPRING
15 15-9	DOG
16 16-9	LOWER BRIDGE SCREW (2 REQ.)
17 17-9	UPPER BRIDGE SCREW (2 REQ.)
18 18-9	CLUTCH SPRING
19 19-9	ECCENTRIC
20 20-109	ECCENTRIC SPRING
21 21-109	ECCENTRIC LEVER
22 22-109	ECCENTRIC SCREW
23 23-60	HANDLE SCREW
23A 110-60	HANDLE LOCK SCREW
24 24-160	HANDLE
26 26-9	RIGHT SIDE BEARING

**KEY PART**

NO NO.	DESCRIPTION
27 27-9	LEFT SIDE PLATE
28 28-109	LEFT SIDE RING
29L 29L-9	SPOOL (ALUMINUM)
30 30N-9	STAND
32 32-2	STAND SCREW (4 REQ.)
35 35-155	CLICK TONGUE
36 36-60CH	CLICK BUTTON
37 37-109	FRAME POST (2 REQ.)
39 39-1	L.S. POST SCREW (6 REQ.)
40 40-109	L.S. BEARING
41 41-109	L.S. BEARING SPRING
42 42-109	WORM
43 43-9	RIGHT SIDE WORM BEARING
44 43-109	LEFT SIDE WROM BEARING
45 45-9	WORM GEAR
46 46-9	LINE GUIDE
47 47-109	PAWL
48 48-109	PAWL COVER
50 50-109	WORM SHIELD
58 58-109	SLOTTED POST
62 62-209	CLICK SPRING
63 63-209	CLICK SPRING SCREW
64 64-9	IDLER GEAR
65 65-209	IDLER GEAR SCREW
66 66-9	LEVEL WIND DRIVE GEAR
67 67-9	DRIVE GEAR LOCK SPRING
98 98-155	GEAR SLEEVE