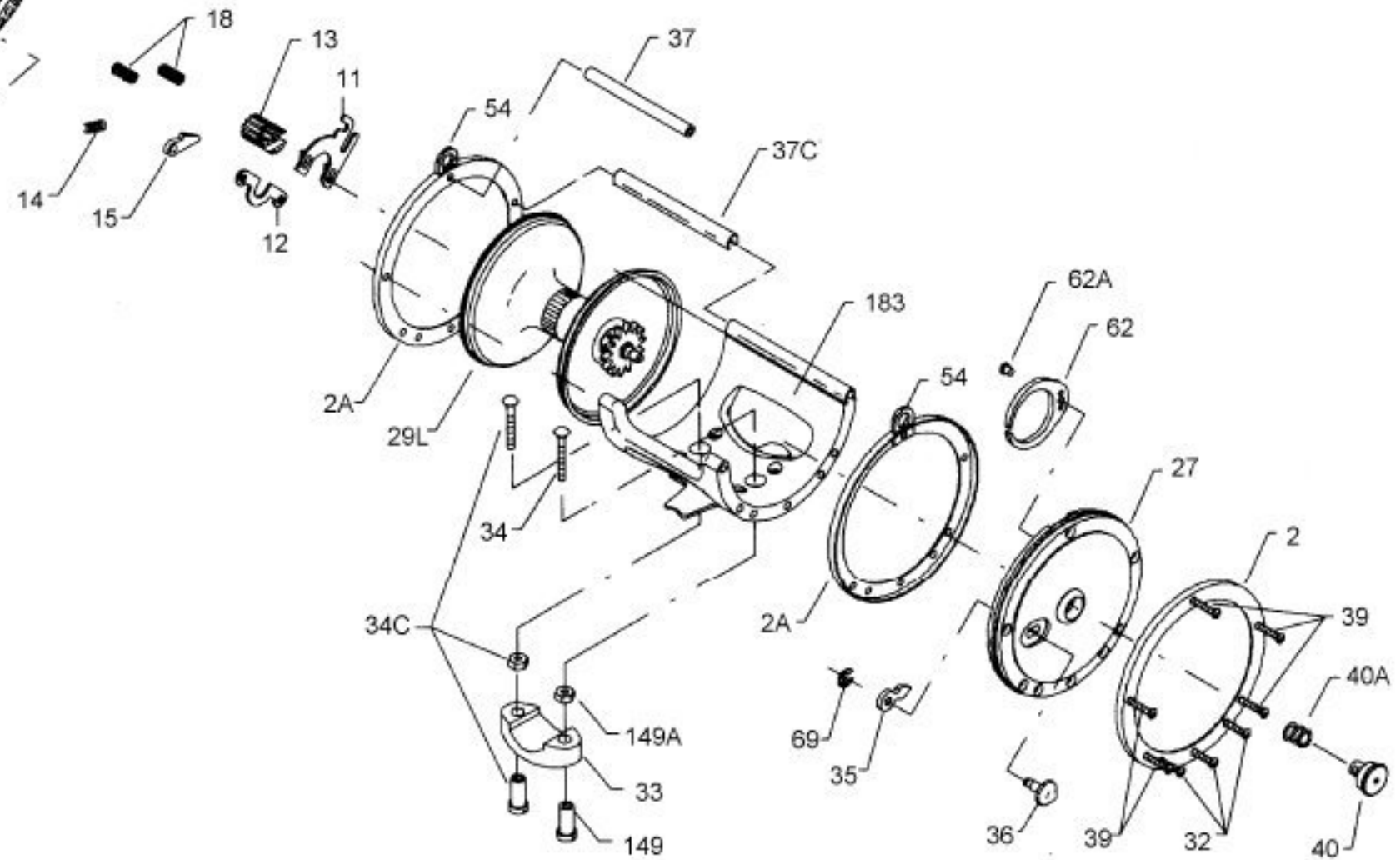


**4/0 SENATOR
113-LH
Left Hand Version**



Penn Reel Parts list for:

Model: 113-LH Senator (LEFT HAND Version)

KEY NO	PART NO.	DESCRIPTION
1	1-113	LEFT SIDE PLATE
2	2-113-0	OUTER RING (2 REQ.)
2A	2-113-I	INNER RING (2 REQ.)
3	3-113LH	BRIDGE W/ SLEEVE (LEFT HAND VERSION)
4	4-60	FIBER WASHER
5	5-66LH	MAIN GEAR (LEFT HAND VERSION)
6	6-113	DRAG WASHER (3 REQ.)
7	7C-60	METAL DRAG WASHER SET
8	8-60	TENSION SPRING (2 REQ.)
9	9-66	SPACING SLEEVES
10	10-66LH	STAR DRAG WHEEL (LEFT HAND VERSION)
11	11-113	ECCENTRIC JACK
12	12-113	PINION YOKE
13	13-113LH	PINION (LEFT HAND VERSION)
14	14-99	DOG SPRING
15	15-99	DOG
16	16-60CH	LOWER BRIDGE SCREW (2 REQ.)
17	17-60CH	UPPER BRIDGE SCREW (2 REQ.)
18	18-60	CLUTCH SPRING (2 REQ.)
19	19-113	ECCENTRIC
20	20-155	ECCENTRIC SPRING
21	21-66	ECCENTRIC LEVER
22	22-99	ECCENTRIC SCREW
23	23-60	HANDLE SCREW
23A	110-60	HANDLE LOCK SCREW

KEY NO	PART NO.	DESCRIPTION
24	24-66	HANDLE
26	26-60	R.S. BEARING
27	27-113	RIGHT SIDE PLATE
29	29L-113	SPOOL
30	30-113	STAND
31	32-17	R.S. STAND SCREW
32	39-9	L.S. STAND SCREW (3 REQ.)
33	33-113	ROD CLAMP
	* 33R-200	RINGED ROD CLAMP (OPTIONAL)
34	34-45	CLAMP SCREW (2 REQ.)
34C	34C-45	ROD CLAMP SCREW W/ NUTS
35	35-60	CLICK TONGUE
36	36-113	CLICK BUTTON
37	37-113	FRAME POST (5 REQ.)
38	39-9	R.S. SCREW (5 REQ.)
39	39-9	L.S. SCREW (5 REQ.)
40	40-60	L.S. BEARING
41	41-60	L.S. BEARING SPRING
54	54-113	HARNES LUG (2 REQ.)
62	62-309	CLICK SPRING
62A	63-209	CLICK SPRING SCREW
69	69B-600	RETAINING RING
98	98-60LH	GEAR SLEEVE (LEFT HAND VERSION)
149	149-45	ROD CLAMP NUT (2 REQ.)
149	149-200	HEX NUT (2 REQ.)

* Not Shown