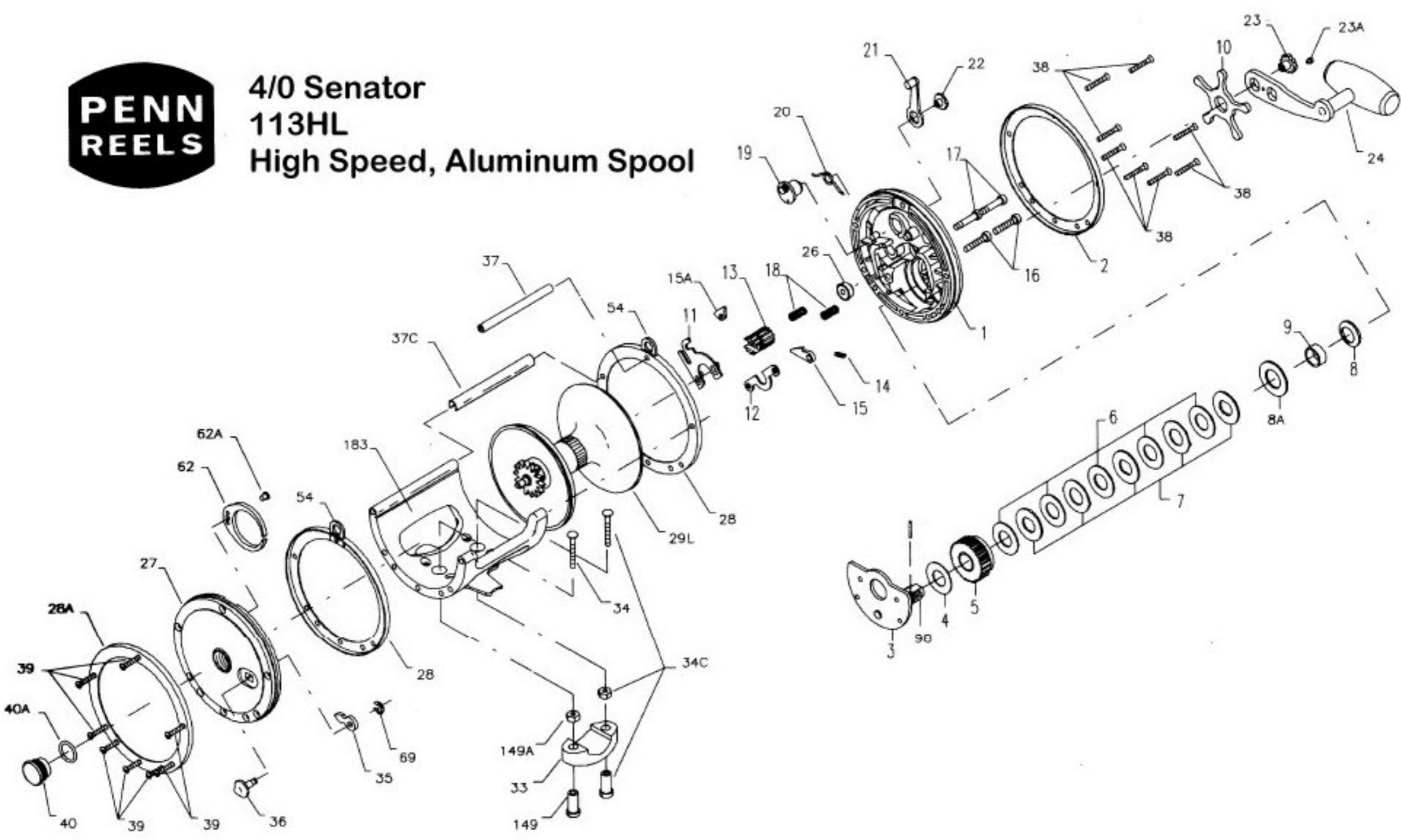




**4/0 Senator
113HL
High Speed, Aluminum Spool**



Penn Reel Parts list for:

Model: 113HL

KEY PART NO	NO.	DESCRIPTION
1	1-113H	RIGHT SIDE PLATE
2	2-113H-0	OUTER RING SIDE RING
3	3-113H	BRIDGE W/ SLEEVE
4	4-349	FIBER WASHER
5	5-113H	MAIN GEAR
6	6-113H	DRAG WASHER (5 REQ.)
7	7C-113H	METAL WASHER SET
8	8-349	TENSION SPRING
8A	18-970	TENSION SPRING DRAG
9	9-113H	SPACING SLEEVE
10	10-349	STAR DRAG WHEEL
11	11-113	ECCENTRIC JACK
12	12-60	PINION YOKE
13	13-113H	PINION
14	14-99	DOG SPRING
15	15-113H	DOG
16	16-113H	LOWER BRIDGE SCREW
17	17-113H	UPPER BRIDGE SCREW
18	18-60	CLUTCH SPRING
19	19-113	ECCENTRIC
20	20-155	ECCENTRIC SPRING
21	21-66	ECCENTRIC LEVER
22	22-99	ECCENTRIC SCREW
23	23-114	HANDLE SCREW
23A	110-60	HANDLE LOCK SCREW
24	24-349H	HANDLE
26	26-113H	RIGHT SIDE BEARING
27	27N-113H	LEFT SIDE PLATE

KEY PART NO	NO.	DESCRIPTION
28	2-113-I	INNER SIDE RING
28A	2-113-0	OUTER LEFT SIDE RING
29L	29L-113HL	SPOOL
33	33-113	ROD CLAMP
*	33R-200	RINGED ROD CLAMP (OPTIONAL)
34	34-45	CLAMP SCREW (ONLY)
34C	34C-45	ROD CLAMP SCREW W/ NUTS
35	35-60	CLICK TONGUE
36	36-113	CLICK BUTTON
37	37-113	FRAME POST
37C	37C-113H	FRAME SHEILD
38	39-9	RIGHT SIDE POST SCREW
39	39-3	LEFT SIDE SCREW
40	**40-113HL	LEFT SIDE BEARING
40A	120-113H	LEFT SIDE BEARING O-RING
54	54-113	HARNES LUG
62	62-309	CLICK SPRING
62A	63-209	CLICK SPRING SCREW
69	69B-600	RETAINING RING
98	98-320	GEAR SLEEVE
149	149-45	CLAMP NUT
149A	149-200	HEX NUT
183	183-113HSP	FRAME W/ STAND

** Owners of Older 113HL reel must order 40-113H
*Not Shown