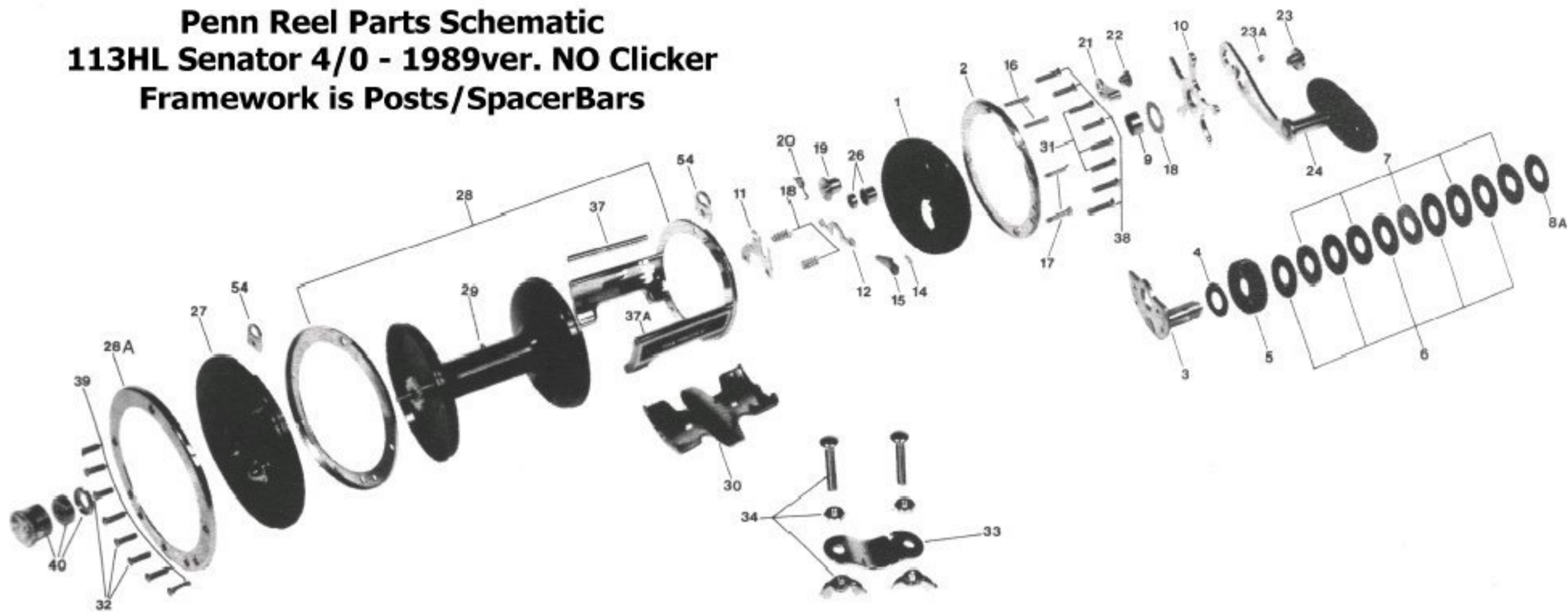


Penn Reel Parts Schematic
113HL Senator 4/0 - 1989ver. NO Clicker
Framework is Posts/SpacerBars



Penn Reel Parts list for:

Model: 113HL w/posts 1989 or earlier

KEY PART

NO	NO.	DESCRIPTION
1	1-113H	RIGHT SIDE PLATE
2	2-113H-O	OUTER RING SIDE RING
3	3-113H	BRIDGE W/ SLEEVE
4	4-349	FIBER WASHER
5	5-113H	MAIN GEAR
6	6-113H	DRAG WASHER (5 REQ.)
7	7C-113H	METAL WASHER SET
8	8-349	TENSION SPRING
8A	18-970	TENSION SPRING DRAG
9	9-113H	SPACING SLEEVE
10	10-349	STAR DRAG WHEEL
11	11-113	ECCENTRIC JACK
12	12-60	PINION YOKE
13	13-113H	PINION
14	14-99	DOG SPRING
15	15-113H	DOG
16	16-113H	LOWER BRIDGE SCREW
17	17-113H	UPPER BRIDGE SCREW
18	18-60	CLUTCH SPRING
19	19-113	ECCENTRIC
20	20-155	ECCENTRIC SPRING
21	21-66	ECCENTRIC LEVER

KEY PART

NO	NO.	DESCRIPTION
22	22-99	ECCENTRIC SCREW
23	23-114	HANDLE SCREW
23A	110-60	HANDLE LOCK SCREW
24	24-349H	HANDLE
26	26-113H	RIGHT SIDE BEARING
27	27-113H	LEFT SIDE PLATE
28	2-113-I	INNER SIDE RING
28A	2-113-O	OUTER LEFT SIDE RING
29L	29L-113HL	SPOOL
30	30-113	STAND
31	39-3	RIGHT SIDE STAND SCREW
32	32-17	LEFT SIDE STAND SCREW
33	33-200	ROD CLAMP
*	33R-200	RINGED ROD CLAMP (OPTIONAL)
34	34-200	ROD CLAMP SCREW W/ NUTS
37	37-113	FRAME POST
37A	37N-113HL	SPACER BAR (FRONT)
37C	37C-113HL	SPACER BAR (REAR)
*	37A-113HL	SPACER BAR (SET)
38	39-9	RIGHT SIDE POST SCREW
39	39-3	LEFT SIDE SCREW
40	40-113H	LEFT SIDE BEARING
54	54-113	HARNES LUG