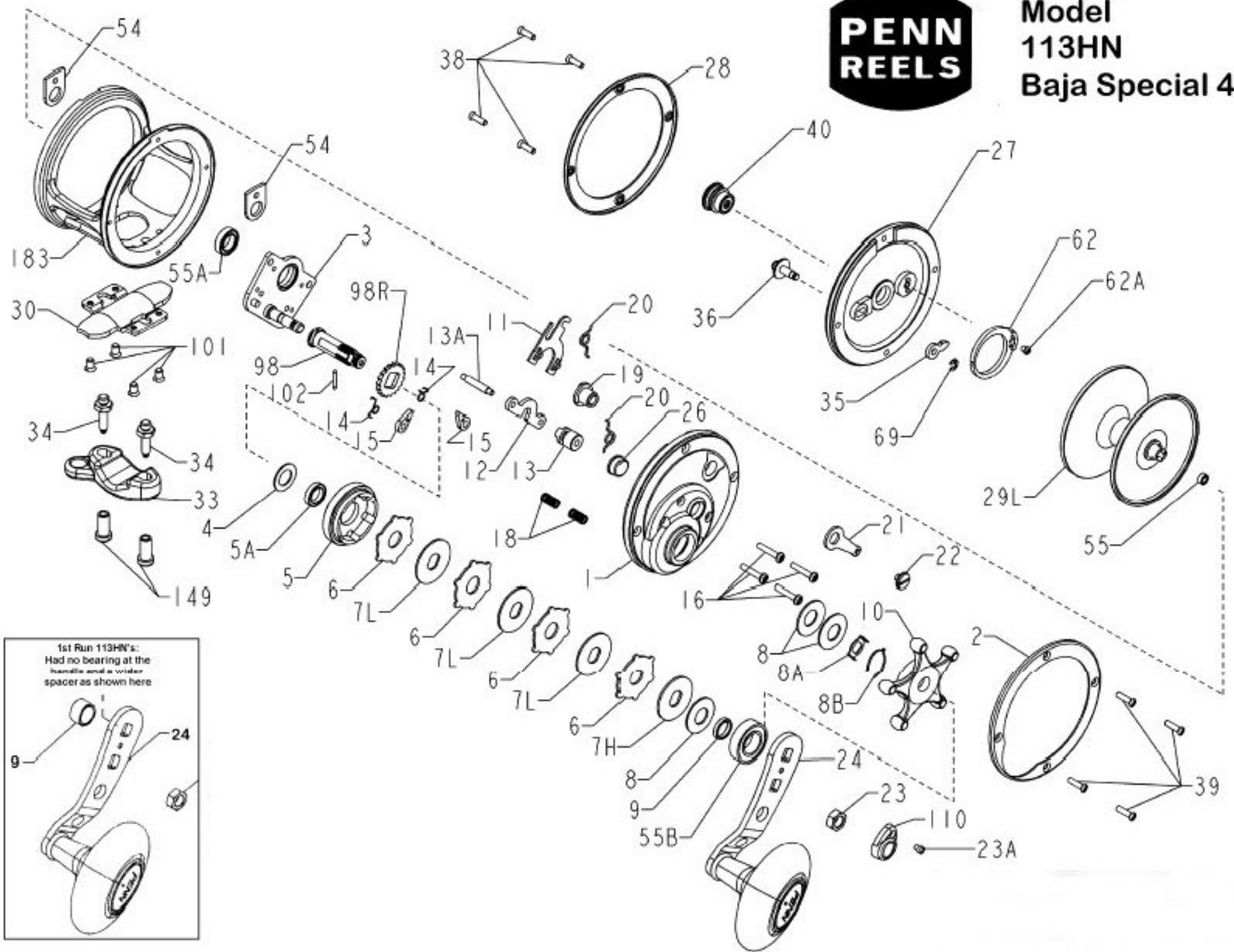




**Model
113HN
Baja Special 4/0**



Penn Reel Parts list for:

Model: 113HN Baja Special

KEY PART NO	NO.	DESCRIPTION	KEY PART NO	NO.	DESCRIPTION
1	1-113HN**	RIGHT SIDE PLATE	24	24-113HN	HANDLE
2	2-113HNO	RIGHT SIDE RING	26	26-113HN	RIGHT SIDE BEARING
3	3-113HN	BRIDGE WITH SLEEVE	27	27-113HN	LEFT SIDE PLATE
4	4-155	FIBER WASHER	28	28-113HNO	LEFT SIDE RING
5	5-113HNSS	MAIN GEAR	29L	29L-113HN	SPOOL
5A	55-113HN	MAIN GEAR BEARING	30	30-12LT	STAND
6	6-525MAG	DRAG WASHER (4 REQ.)	33	33-113	ROD CLAMP
7L	7-113HN	METAL DRAG WASHER (3 REQ.)	34	34-975	STANDARD CLAMP SCREW (2 REQ.)
7H	86-49H	METAL DRAG WASHER		34-113HN	OPTIONAL CLAMP SCREW (2 REQ.)
8	18-505	TENSION SPRING (3 REQ.)	35	35-60	CLICK TONGUE
8A	8-113HN	CLICK WASHER	36	36-113	CLICK BUTTON
8B	10C-113HN	DETENT SPRING	38	32-17	LEFT SIDE PLATE SCREW (4 REQ.)
9	9-113HN**	SPACING SLEEVE	39	39-3	RIGHT SIDE PLATE SCREW (4 REQ.)
10	10-113HN	STAR DRAG WHEEL	40	40-113HL	LEFT SIDE BEARING
11	11-113	ECCENTRIC JACK	54	54-113HN	HARNES LUG (2 REQ.)
12	12-113HN	PINION YOKE	55	55-910	BEARING
13	13-113HNSS	PINION	55A	26A-2.6FR	BEARING
13A	13A-113HN	PINION SUB SHAFT	55B	55-12H**	BALL BEARING
14	14-15KG	DOG SPRING (2 REQ.)	62	62-309	CLICK SPRING
15	15-113HN	DOG (2 REQ.)	62A	63-209	CLICK SPRING SCREW
16	16-113HN	LOWER BRIDGE SCREW (4 REQ.)	69	69B-600	RETAINING RING
18	18-60	CLUTCH SPRING (2 REQ.)	98	98-113HN	GEAR SLEEVE
19	19-113HN	ECCENTRIC	98R	98R-113HN	ANTIREVERSE RATCHET
20	20-267	ECCENTRIC SPRING (2 REQ.)	101	101-80ST	STAND SCREW (4 REQ.)
21	21-113HN	ECCENTRIC LEVER	102	102-60	GEAR SLEEVE PIN
22	22-60CH	ECCENTRIC SCREW	110	110A-555	HANDLE NUT CAP
23	23-555	HANDLE SCREW	149	149-45	STANDARD ROD CLAMP NUT (2 REQ.)
23A	32-15	HANDLE LOCK SCREW		149-113HN	OPTIONAL ROD CLAMP NUT (2 REQ.)
			163	183-113HN	FRAME