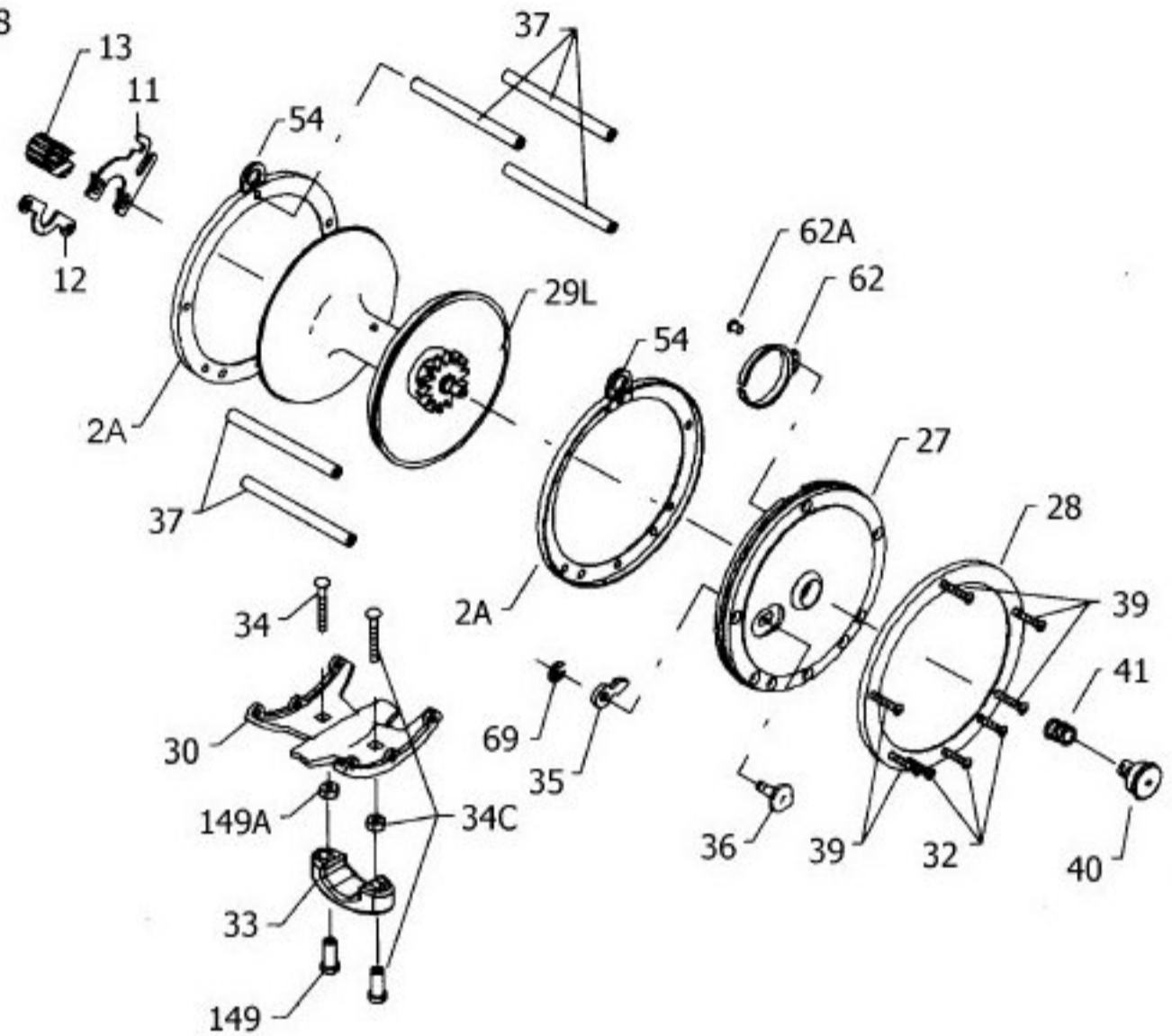


**6/0 Senator  
114LH  
with posts  
Left Hand Version**



**Penn Reel Parts list for:**

**Model: 114-LH w/posts LEFT HAND Version**

KEY NO.	PART NO.	DESCRIPTION
1	1-114	Right Side Plate
2	2-114-O	Right/Left Side Ring Outer
2A	2-114-I	Right Side Ring Inner
3	3-114LH	Bridge with Sleeve (LEFT HAND)
4	4-114	Fiber Washer
5	5-114LH	Main Gear (LEFT HAND)
6	6-114	Drag Washer
7	7C-114	Metal Drag Washer Set
8	8-114	Tension Spring
8A	8-115	Tension Spring
9	9N-114	Spacing Sleeve
10	10-114	Star Drag Wheel
11	11-114	Eccentric Jack
12	12-114	Pinion Yoke
13	13-114LH	Pinion (LEFT HAND)
14	14-114	Dog Spring
15	15-114	Dog
16	16-114	Bridge Screw Lower (2 Required)
17	17-114	Bridge Screw Upper (2 Required)
18	18-114	Clutch Spring
19	19-114	Eccentric
20	20-114	Eccentric Spring
21	21-114	Eccentric Lever
22	23-60	Eccentric Screw
23	23-116	Handle Screw
23A	110-60	Handle Lock Screw

KEY NO.	PART NO.	DESCRIPTION
24	24-114	Handle
26	26-114	Bearing Right Side
27	27-114	Left Side Plate
29	29M-114	Spool
30	30-114	Stand
31	31-11	R.S. Stand Screw (3 Required)
32	32-20	L.S. Stand Screw (3 Required)
33	33-340	Rod Clamp
	33R-114	Ringed Rod Clamp (Optional)
34	34-45	Clamp Screw (2 Required)
34C	34C-45	Rod Clamp Screw with Nuts
35	35-114	Click Tongue
36	36-114	Click Button
37	37-114	Frame Post
38	39-13	R.S. Post Screw (5 Required)
39	39-12	L.S. Post Screw (5 Required)
40	40-114	L.S. Bearing
54	54-114	Harness Lug (2 Required)
62	62-114	Click Spring
62A	63-209	Click Spring Screw
69	69B-600	Retaining Ring
98	98-114LH	Gear Sleeve (LEFT HAND)
149	149-45	Clamp Nut (2 Required)
149A	149-200	Hex Nut (2 Required)