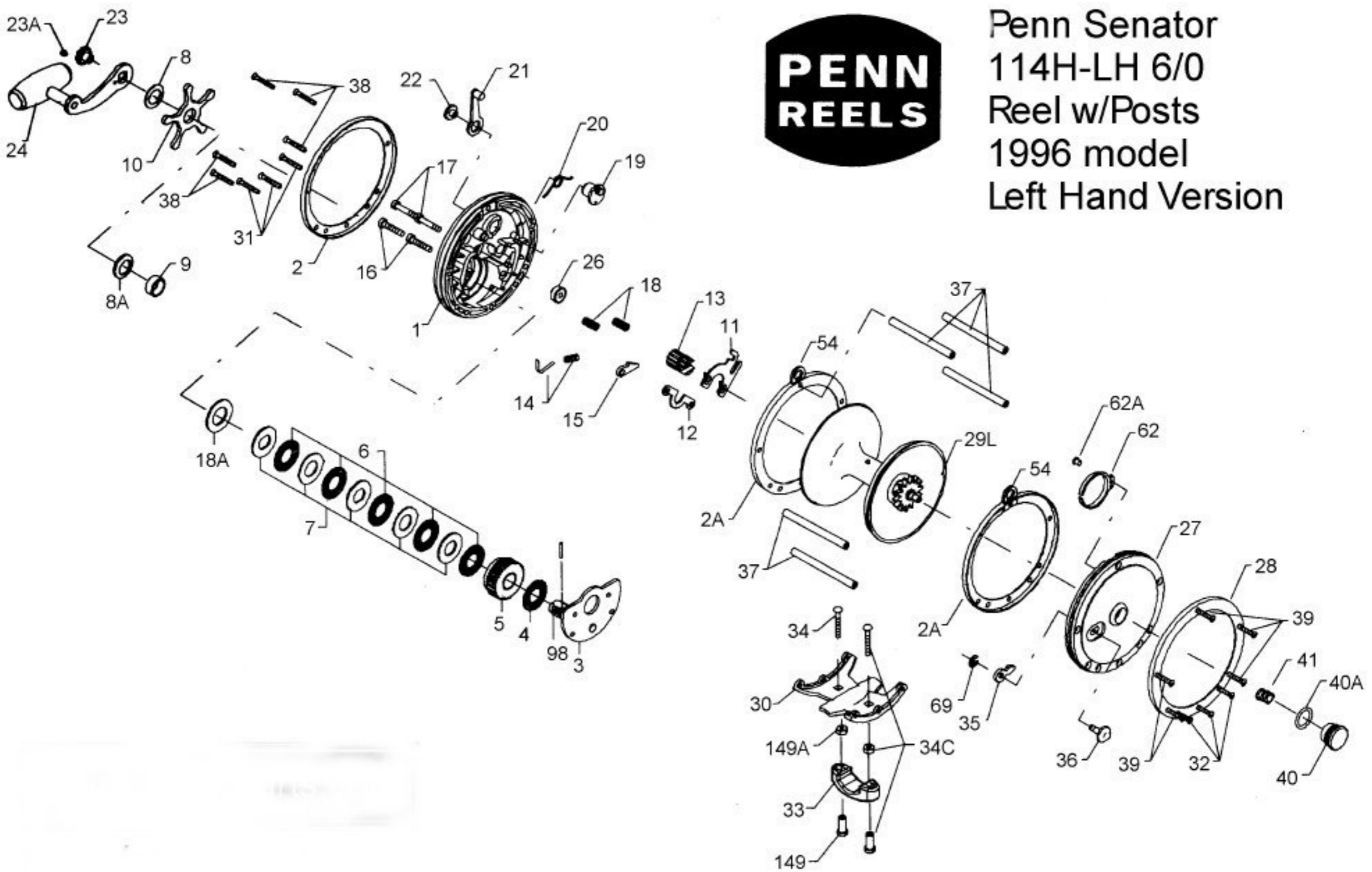




Penn Senator  
114H-LH 6/0  
Reel w/Posts  
1996 model  
Left Hand Version



Penn Reel Parts list for:

KEY NO.	PART NO.	DESCRIPTION
	1 1-114H	Right Side Plate
	2 2-114H-O	Right Side Ring Outer
	2A 2-114-I	Right/Left Side Ring Inner
	3 3-114H-LH	Bridge with Sleeve (LEFT HAND VERSION)
	4 4-115	Fiber Washer
	5 5-115LH	Main Gear (LEFT HAND VERSION)
	6 6-115	Drag Washer
	7 7C-115	Metal Drag Washer Set
	8 8-114	Tension Spring (Thin)
	8A 8-115	Tension Spring (Thick)
	9 9-114H	Spacing Sleeve
	10 10-114	Star Drag Wheel
	11 11-114	Eccentric Jack
	12 12-114	Pinion Yoke
	13 13-114H-LH	Pinion (LEFT HAND VERSION)
	14 14-114	Dog Spring
	15 15-114H	Dog
	16 16-114	Bridge Screw Lower (2 Required)
	17 17-114	Bridge Screw Upper (2 Required)
	18 18-114	Clutch Spring
	18A 18-114H	Spring Disc
	19 19-114	Eccentric
	20 20-114	Eccentric Spring
	21 21-114	Eccentric Lever
	22 23-60	Eccentric Screw
	23 23-116	Handle Screw
	23A 110-60	Handle Lock Screw

Model: 114H-LH 6/0 Senator, Posts, No Frame (Left Hand Version)

KEY NO.	PART NO.	DESCRIPTION
	24 24-115	Handle
	26 26-116	Bearing Right Side
	27 27N-114H	Left Side Plate
	28 2-114-O	Left Side Ring Outer
	29 29L-114HL	Spool, Aluminum
	30 30-114	Stand
	31 31-11	R.S. Stand Screw (3 Required)
	32 32-20	L.S. Stand Screw (3 Required)
	33 33-340	Rod Clamp
	** 33R-114	Ringed Rod Clamp (Optional)
	34 34-45	Clamp Screw (2 Required)
	34C 34C-45	Rod Clamp Screw with Nuts
	35 35-114	Click Tongue
	36 36-114H	Click Button
	37 37-114	Frame Post
	38 39-13	R.S. Post Screw (5 Required)
	39 39-12	L.S. Post Screw (5 Required)
	40 40-114H	L.S. Bearing
	40A 120-114H	L.S. Bearing O Ring
	54 54-114	Harness Lug (2 Required)
	62 62-114	Click Spring
	62A 63-209	Click Spring Screw
	69 69B-600	Retaining Ring
	98 98-114LH	Gear Sleeve (LEFT HAND VERSION)
	149 149-45	Clamp Nut (2 Required)
	149A 149-200	Hex Nut (2 Required)

\*\* = not on schematic